

NOTES:

- △ 1. UNLESS OTHERWISE NOTED, ALL DIMENSIONS AND TOLERANCES SHOWN ARE CONSTRAINTS FOR DESIGN, NOT MANUFACTURING TOLERANCES.
- 2. ALL DIMENSIONS ASSUME USE OF 1" O.D. ROUND TUBING FOR FRAME STRUCTURE
- 3. THIS AREA MUST BE CLEAR THROUGH THE CART WITH THE EXCEPTION OF THE BASKET SUPPORT TUBES OF THE FRAME. PHOTO ELECTRIC SENSORS IN CONVEYOR SIDE RAILS ARE SPACED FAR ENOUGH APART TO ALLOW A CART TO PASS THROUGH BY ONLY BLOCKING ONE P.E. AT A TIME, BUT ARE CLOSE ENOUGH TOGETHER FOR OTHER FOREIGN OBJECTS TO BLOCK BOTH P.E.'S AND STOP CONVEYOR.
- 4. HORIZONTAL BRACE (SHADED SECTION) OF FRAME MUST MAKE BEND FROM LOWER FRAME TOWARD REAR CASTER SUPPORT TUBE ABOVE CLR. LINE #2 IN ORDER TO CLEAR CONVEYOR TRACK
- 5. CASTER PLATE TO BE MIN. .375 x 3.00 A-36 HOT ROLLED FLAT OR 1018 COLD DRAWN FLAT
- 6. PFLOW WILL PROVIDE TOW BAR ATTACHMENT DETAILED DRAWINGS AND SPECIFICATIONS TO CART MANUFACTURER. TOW BAR ATTACHMENT TO BE ASSEMBLED TO CART BY CART MANUFACTURER PRIOR TO SHIPMENT TO FINAL CUSTOMER.
- △ 7. ANY ANTI-THEFT CASTER TO BE USED MUST BE INSTALLED IN THE RIGHT FRONT POSITION (AS VIEWED WHEN STANDING AT THE CART HANDLE).
- 8. IF FRAME IS TO EXTEND FORWARD PAST FRONT CASTER PLATE TO ACT AS A BUMPER, IT MUST BEND UPWARD TO CLEAR CLR. LINE #1.

____APPROVED ____APPROVED AS NOTED.

____REVISE AND RESUBMIT

BY: _____

DATE: _____

THIS PRINT REMAINS THE PROPERTY OF PFLOW INDUSTRIES INC. ALL INFORMATION CONTAINED THEREON IS CONFIDENTIAL AND IS LOANED, SUBJECT TO RETURN ON DEMAND, AND ON EXPRESS CONDITION THAT IT NOT BE COPIED OR USED IN ANY WAY WHATSOEVER DETRIMENTAL TO PFLOW INDUSTRIES INC.

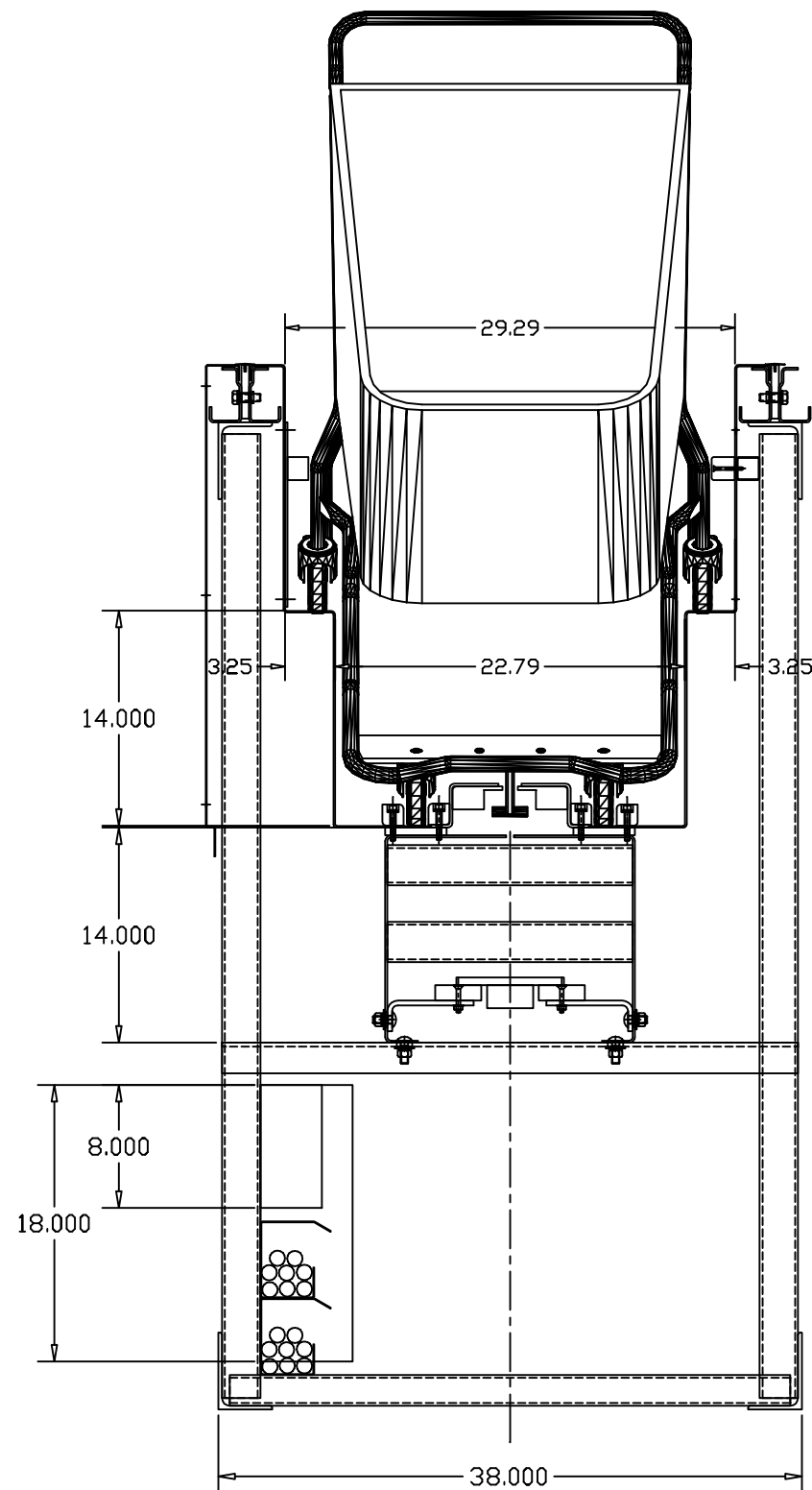
Pflow PFLOW INDUSTRIES, INC. (414) 462-8810
 5045 North 35th Street (414) 462-2673 FAX
 Milwaukee, WI 53209 pflow@pflow.com

TITLE: DIMENSIONAL INFORMATION
 CARTVEYOR, SHOPPING CART, 26" WIDE

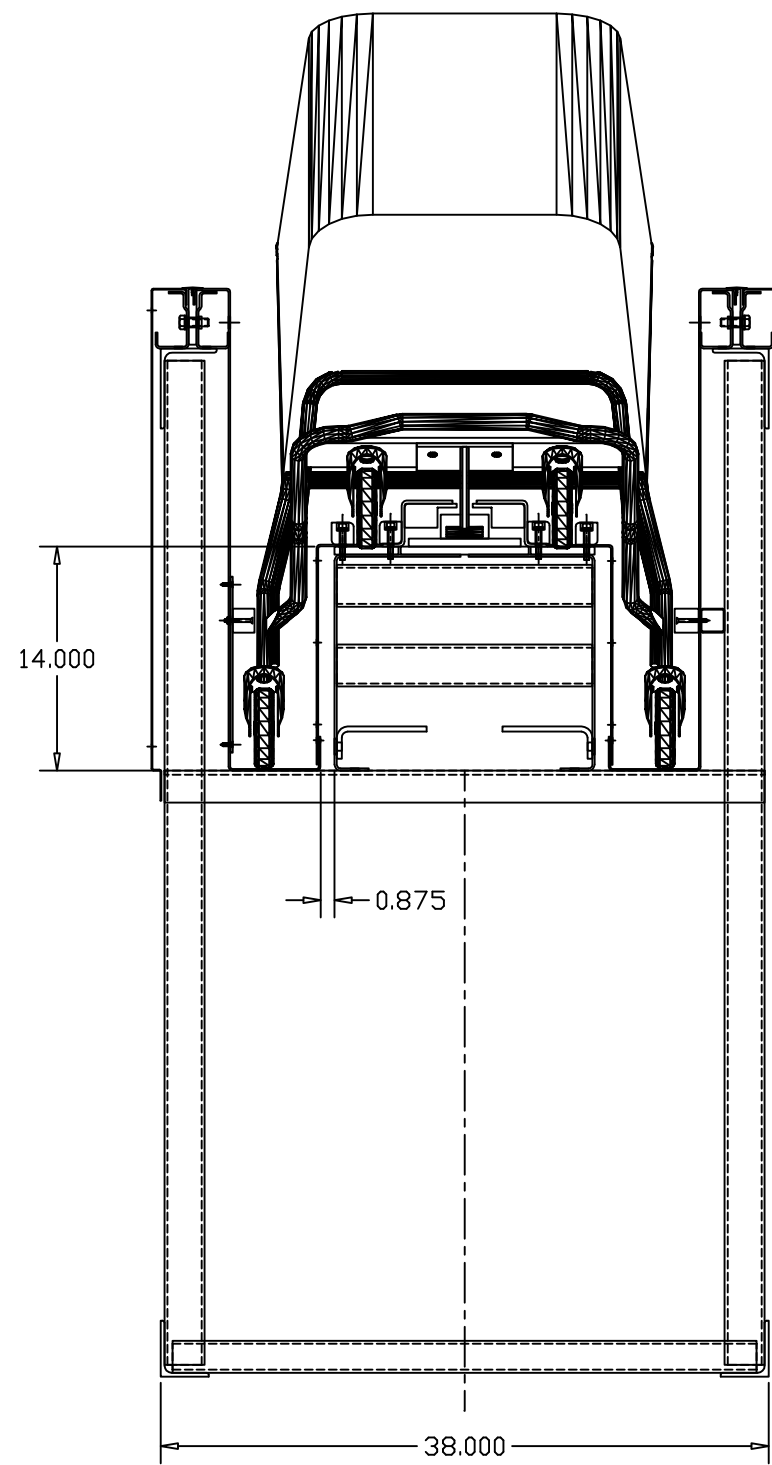
REV	DATE	BY	ECN
C	10/25/04	MEB	
B	9/29/03	MHS	
A	1/21/03	MHS	
REVISIONS			

UNLESS OTHERWISE INDICATED :
 ALL DIMENSIONS ARE IN INCHES.
 TOLERANCES : FRACTIONAL ± 1/16
 DECIMAL .XX ± .03
 .XXX ± .015
 ANGULAR : ± 1°
 MACH. SURFACE FINISH : 250
 DO NOT SCALE DRAWING

DATE	8/22/01	SCALE	1:10	DRAWING NUMBER	10600-0000-B	SHT	1	REV	C
DRAWN	MHS	CHECKED				OF	2		



UPWARD TRAVEL



DOWNWARD TRAVEL

TYPICAL SECTIONS THRU
MID-TRUSS

UNLESS OTHERWISE INDICATED :
ALL DIMENSIONS ARE IN INCHES.
TOLERANCES : FRACTIONAL $\pm 1/16$
DECIMAL .XX $\pm .03$
.XXX $\pm .015$
ANGULAR : $\pm 1^\circ$
MACH. SURFACE FINISH : 250
DO NOT SCALE DRAWING!



PFLOW INDUSTRIES, INC. (414) 462-8810
5045 North 35th Street (414) 462-2673 FAX
Milwaukee, WI 53209 pflow@pflow.com

TITLE SECTION DETAILS
CARTVEYOR, SHOPPING CART, 26" WIDE

REV	DATE	BY	ECN	MATERIAL	DATE	SCALE	DRAWING NUMBER	SHT	REV
					1/5/05	1"-1'	10600-0000-B	2	C
REVISIONS				REFERENCE (NUMBER)	DRAWN	CHECKED		OF	
					MEB			2	