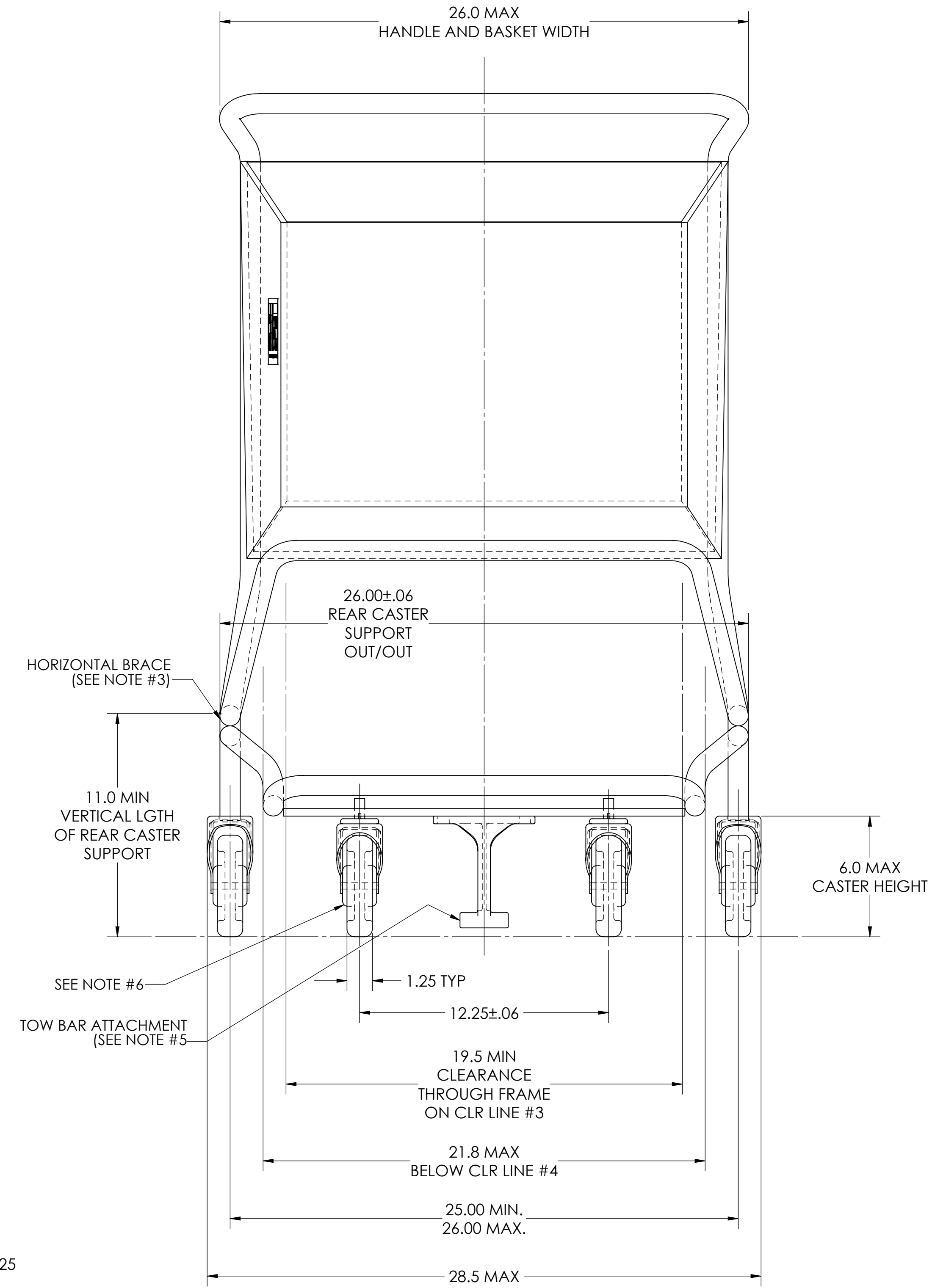
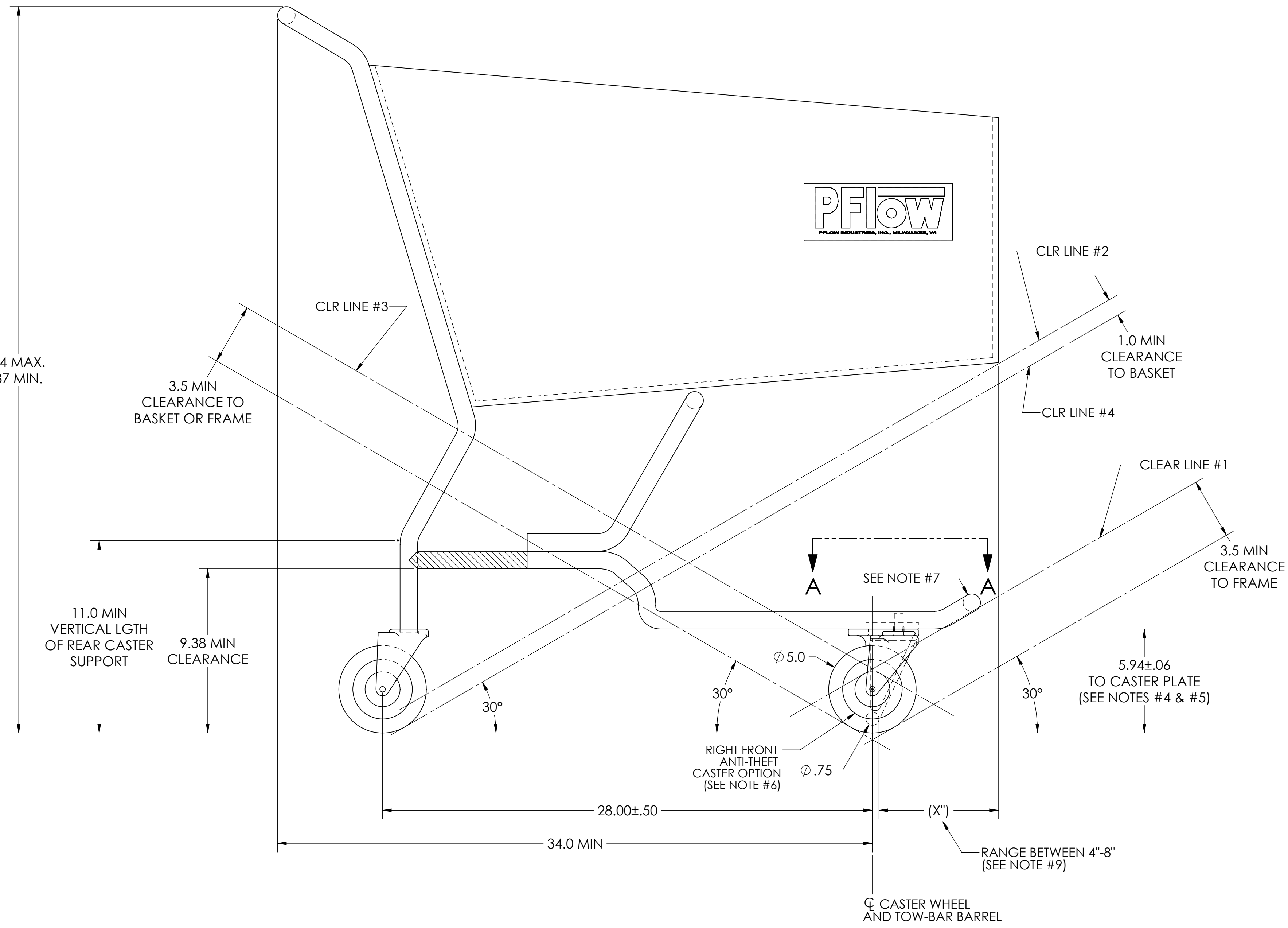
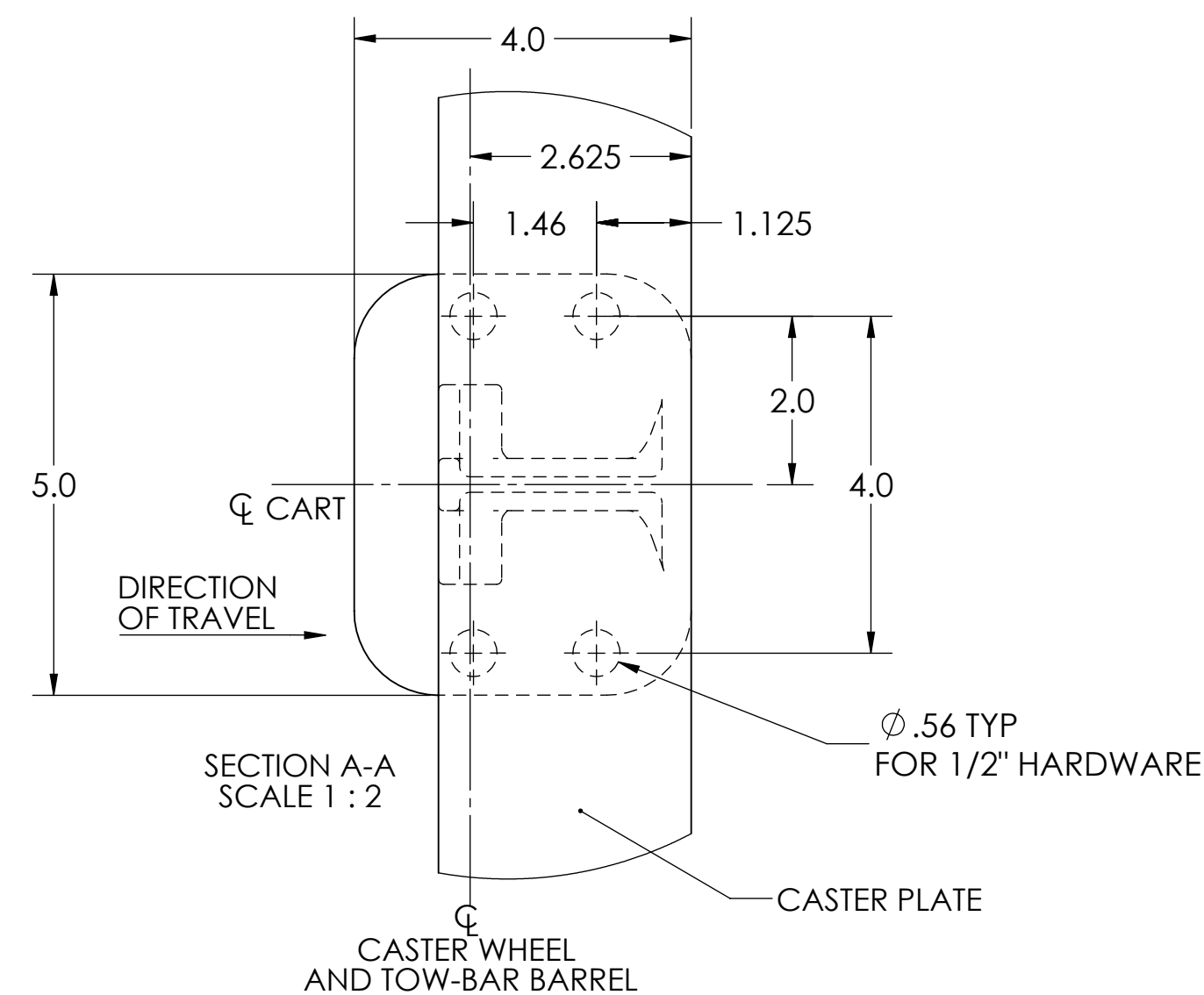


44 MAX.  
37 MIN.



- NOTES:
1. UNLESS OTHERWISE NOTED, ALL DIMENSIONS AND TOLERANCES SHOWN ARE CONSTRAINTS FOR DESIGN, NOT MANUFACTURING TOLERANCES.
  2. DIMENSIONS ASSUME USE OF 1" O.D. ROUND TUBING FOR FRAME STRUCTURE
  3. HORIZONTAL BRACE (SHADED SECTION) OF FRAME MUST MAKE BEND FROM LOWER FRAME TOWARD REAR CASTER SUPPORT ABOVE CLR. LINE #2 IN ORDER TO CLEAR CONVEYOR TRACK
  4. CASTER PLATE TO BE MIN. .375 x 3.00 A-36 HOT ROLLED FLAT OR 1018 COLD DRAWN FLAT
  5. TOW BAR ATTACHMENT TO BE ASSEMBLED TO CART BY CART MANUFACTURER PRIOR TO SHIPMENT TO FINAL CUSTOMER.
  6. ANY ANTI-THEFT CASTER TO BE USED MUST BE INSTALLED IN THE RIGHT FRONT POSITION (AS VIEWED WHEN STANDING AT THE CART HANDLE).
  7. IF FRAME IS TO EXTEND FORWARD PAST FRONT CASTER PLATE TO ACT AS A BUMPER, IT MUST BEND UPWARD TO CLEAR CLR. LINE #1.
  8. ANTI-TIP BRACKETS ON CASTERS ARE NOT ALLOWED.
  9. FRONT EDGE OF TOW BAR BARREL TO FURTHEST POINT FORWARD ON CART (FRAME OR BASKET) MUST BE IN THE RANGE GREATER THAN 4.00" AND LESS THAN 8.00"
  10. DETAILED TRACK GEOMETRY CAN BE FOUND ON SHEET 2, AND SHOULD BE USED TO VERIFY CART DESIGN.
  11. FOR A NEW CART DESIGN TO BE APPROVED FOR USE ON CARTVEYOR EQUIPMENT, PFLOW RECOMMENDS SENDING CAD DATA FOR AN INITIAL ASSESSMENT. A PHYSICAL SAMPLE CART IS REQUIRED FOR FINAL APPROVAL.

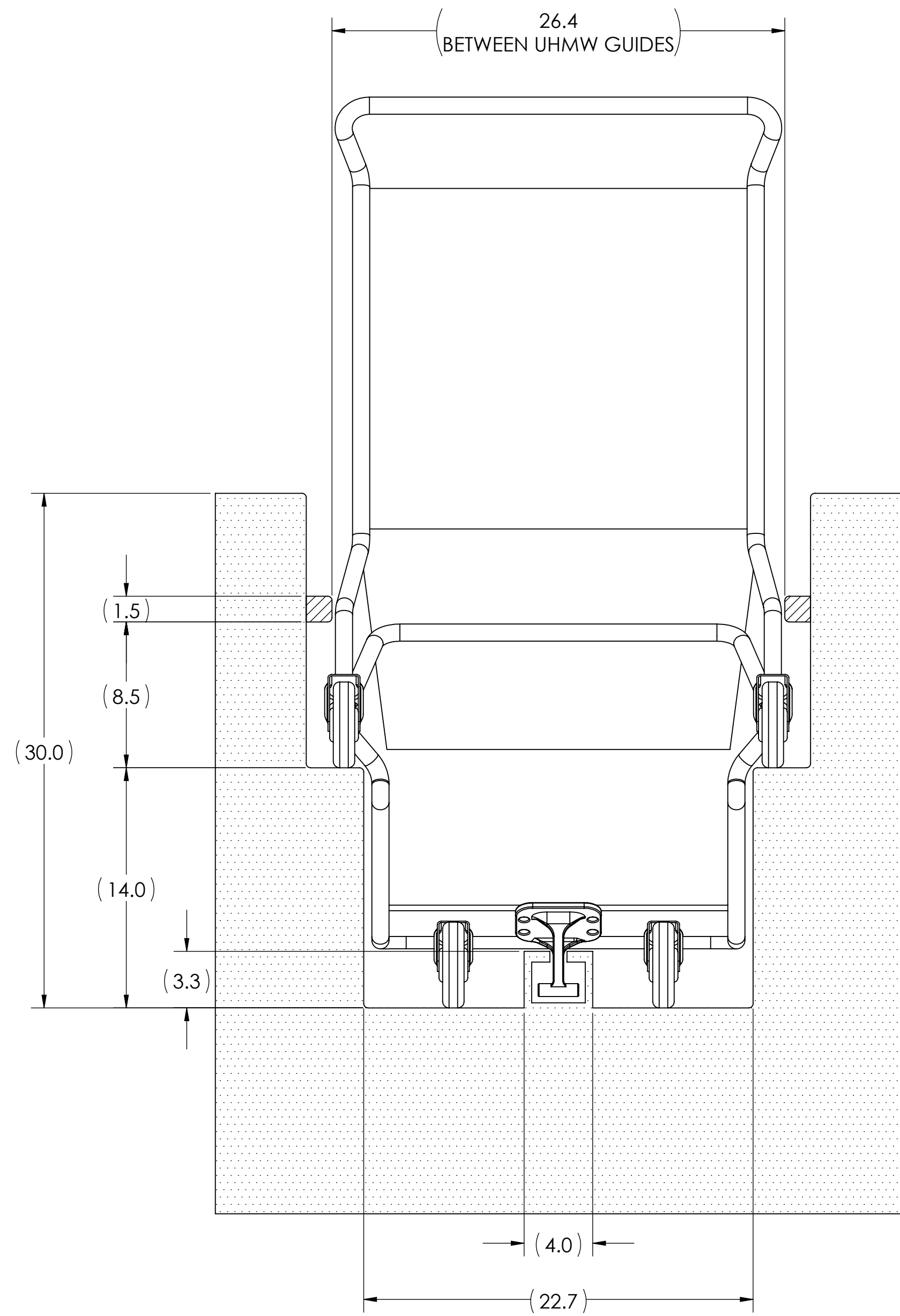


TOW BAR ATTACHMENTS	
CARTVEYOR MODEL	TOW BAR PART NO.
MODEL CV (CHAIN)	14167-0000

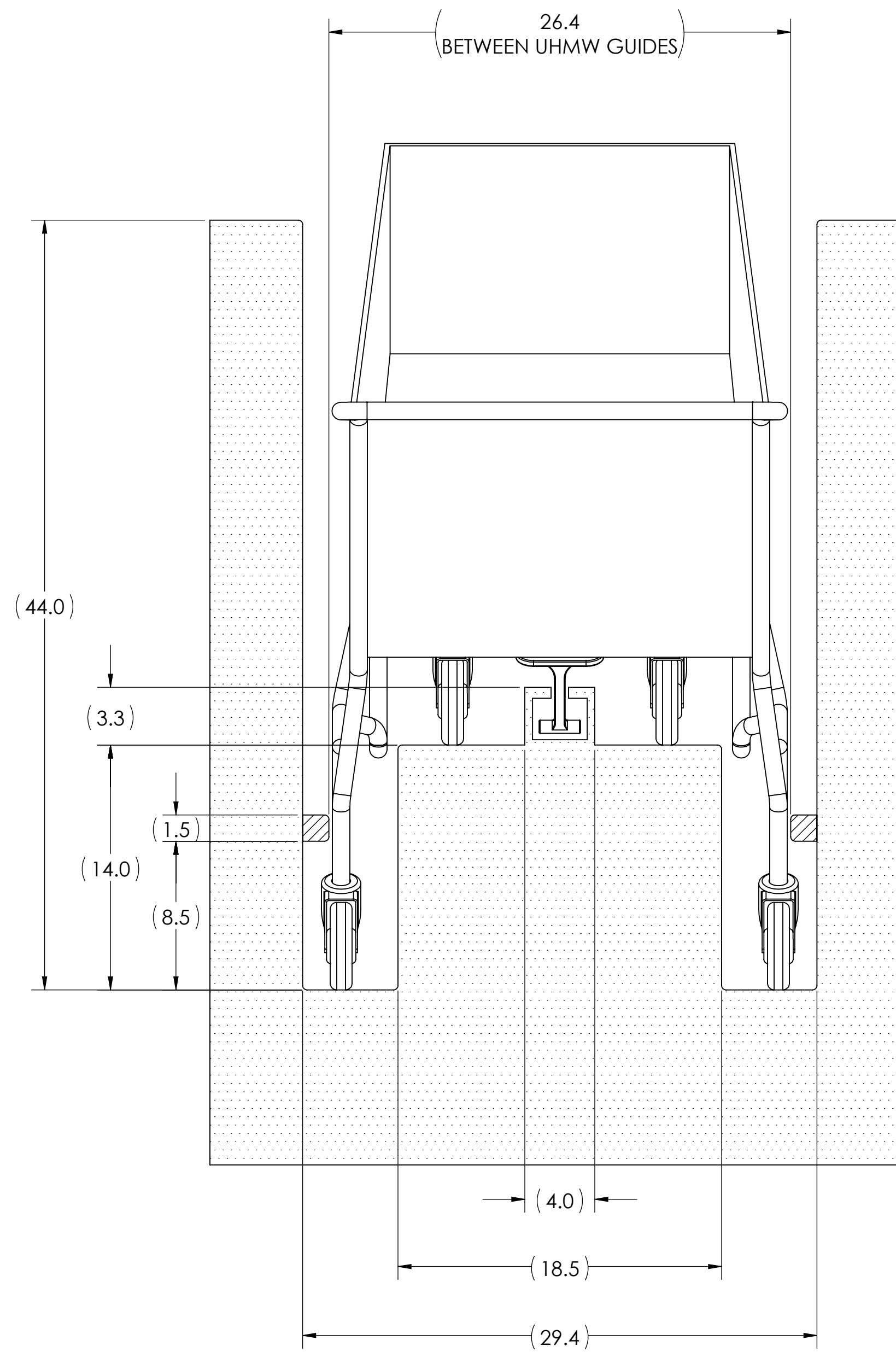
This print including the design and principles of construction is the property of Pflow Industries, Inc. and must be returned on demand. The information contained hereon is confidential and may not be used nor divulged without permission of Pflow Industries, Inc.

<small>UNLESS OTHERWISE INDICATED: ALL DIMENSIONS ARE IN INCHES.</small> <small>TOLERANCES: FRACTIONAL ±1/16 DECIMAL .XX ±.03 XXX ±.015 ANGULAR ±1° MATCH SURFACE FINISH: 257 DO NOT SCALE DRAWINGS</small>	<b>PFLOW</b> PFLOW INDUSTRIES, INC. 414-352-9000 6720 North Teutonia Ave. 414-352-9022 FAX Milwaukee, WI 53209 info@pflow.com		
	TITLE <b>CV SINGLE TRACK CARTVEYOR - SHOPPING CART</b>		
DATE 01-29-2015 DRAWN JRE	SCALE 1:4 CHECKED	DRAWING NUMBER 16490-1000	SH1 1 OF 2 REV 01

REV.	DATE	BY	ECN
REVISIONS			

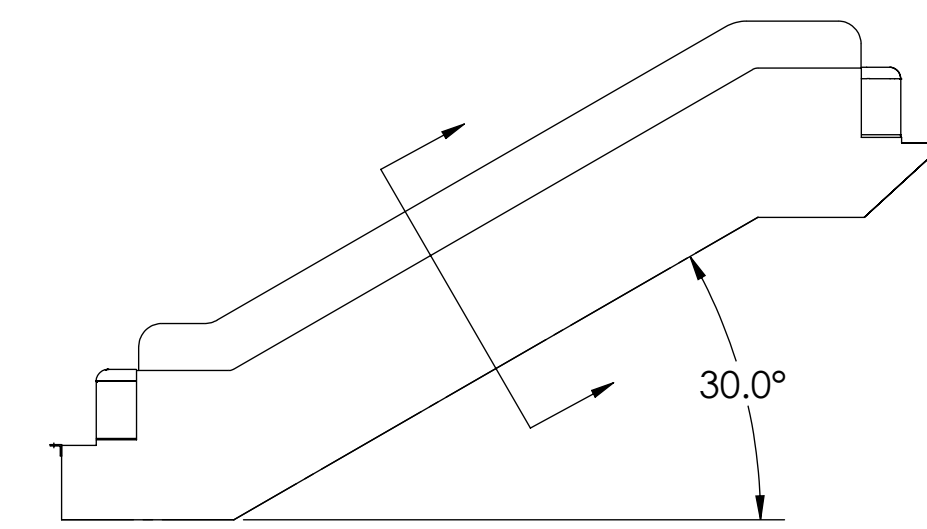


UPWARD TRAVEL  
SINGLE-TRACK CARTVEYOR

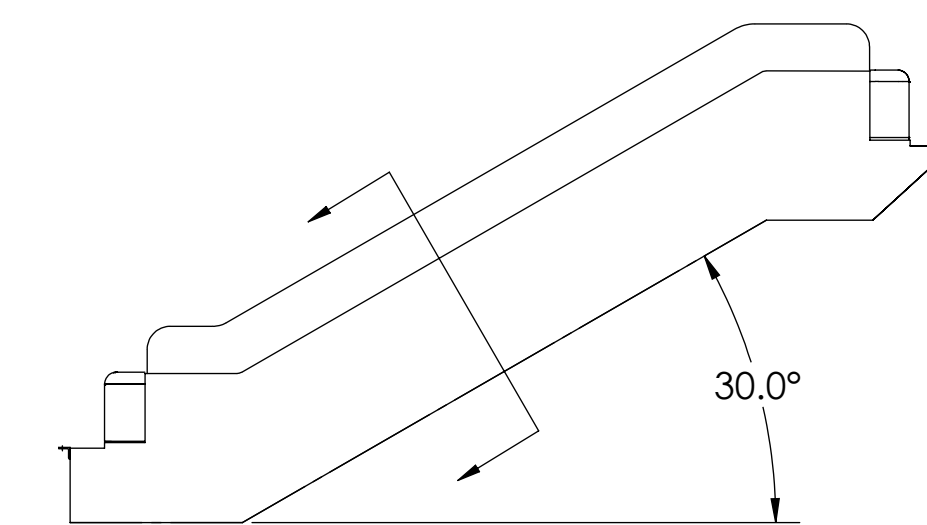


DOWNWARD TRAVEL  
SINGLE-TRACK CARTVEYOR

TYPICAL SECTIONS THRU  
MID-TRUSS



UPWARD TRAVEL  
CROSS-SECTION



DOWNWARD TRAVEL  
CROSS-SECTION

UNLESS OTHERWISE INDICATED: ALL DIMENSIONS ARE IN INCHES.		PFLOW INDUSTRIES, INC. 6720 North Teutonia Ave. Milwaukee, WI 53209		414-352-9000 414-352-9022 FAX info@pflow.com		
TOLERANCES: FRACTIONAL 1/16 DECIMAL .XX ±.03 XXX ±.015 ANGULAR ±1° MATCH SURFACE FINISH: 257 DO NOT SCALE DRAWINGS		TITLE CV SINGLE TRACK CARTVEYOR - SHOPPING CART		DRAWING NUMBER 16490-1000		
ESTIMATED WEIGHT (LBS)	DATE	SCALE	DRAWN	CHECKED	REV	
REF. 10600-0000	01-29-2015	1:8	JRE			

REV.	DATE	BY	ECN
REVISIONS			

This print including the design and principles of construction is the property of Pflow Industries, Inc. and must be returned on demand. The information contained hereon is confidential and may not be used nor divulged without permission of Pflow Industries, Inc.