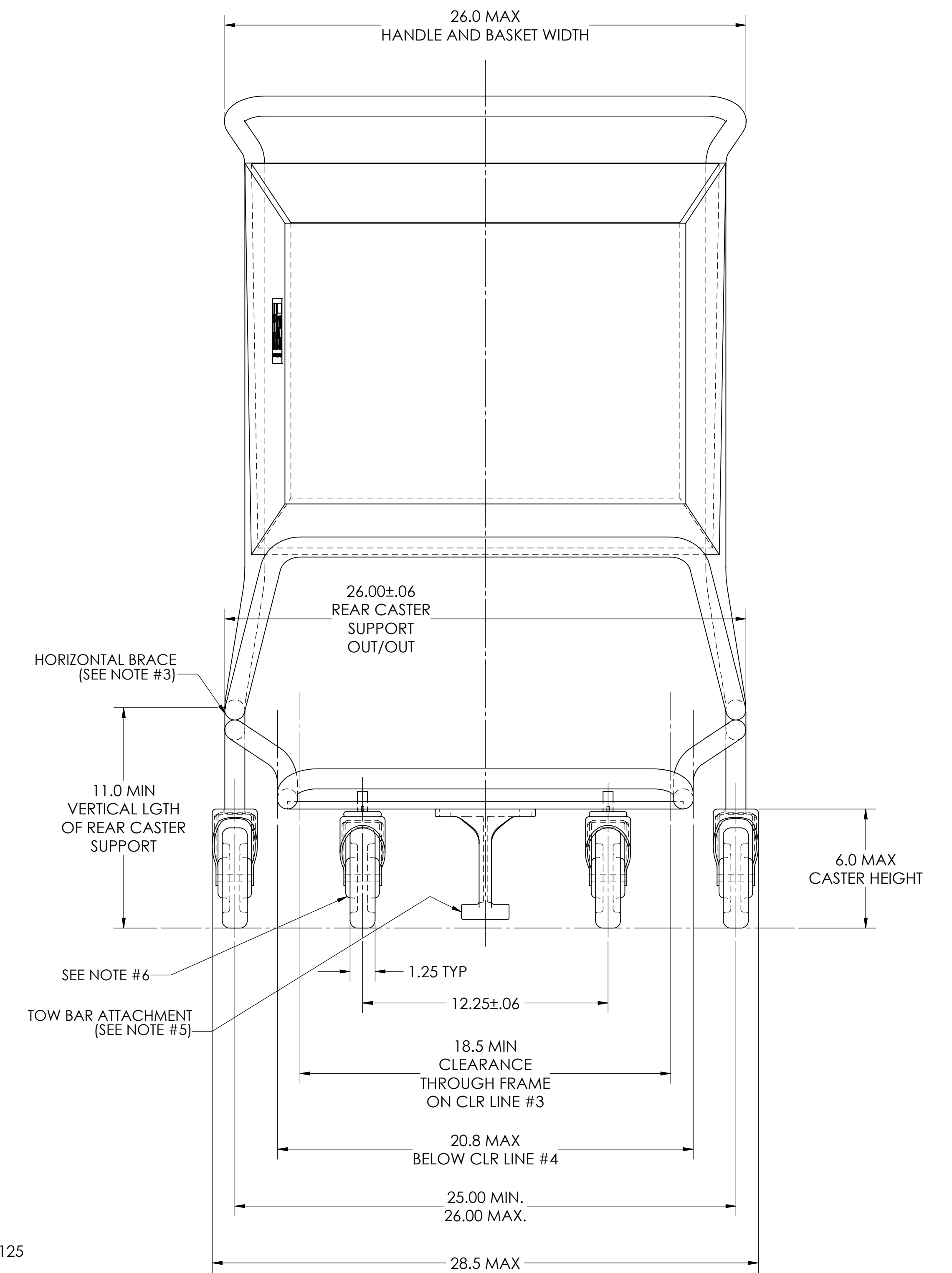
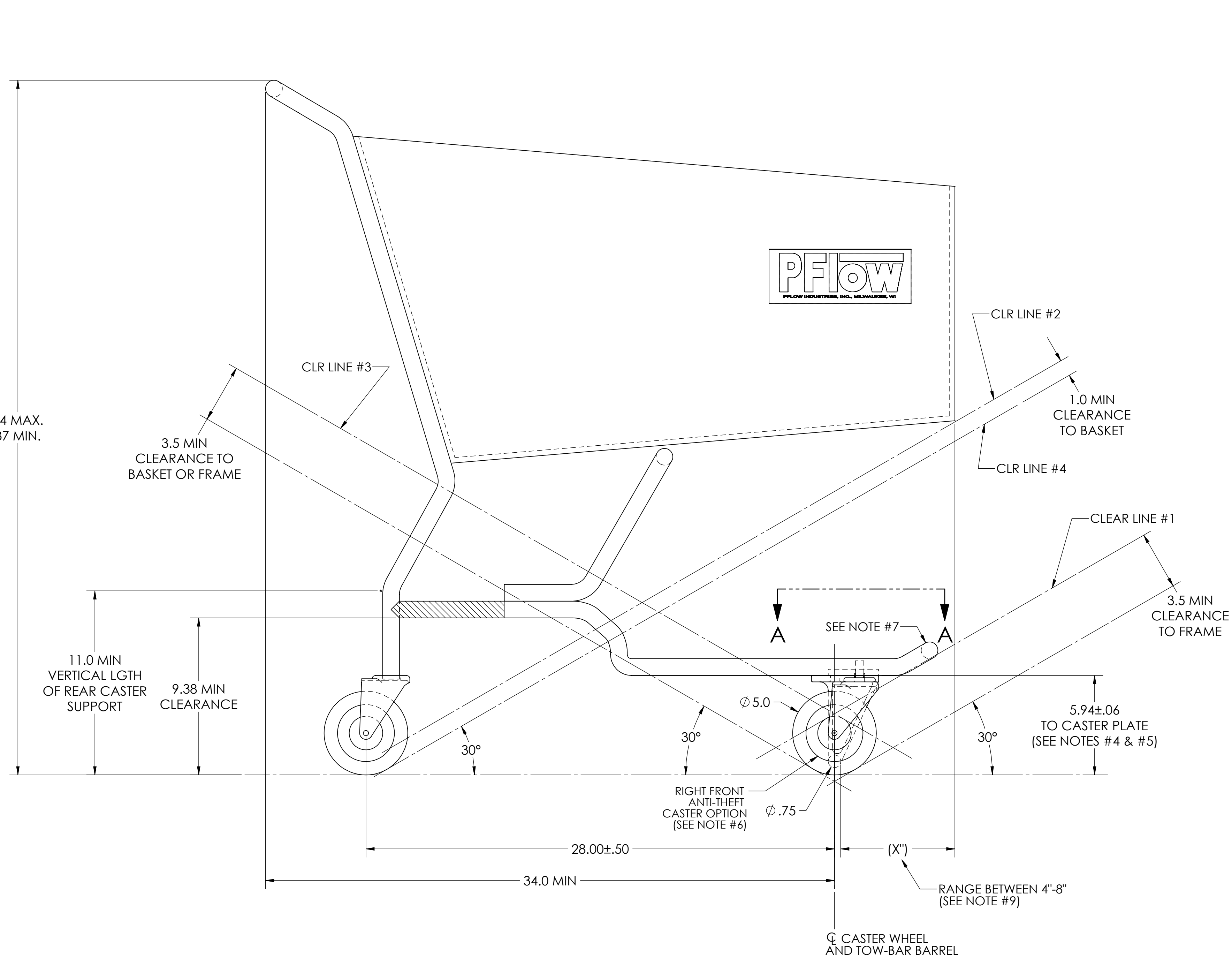
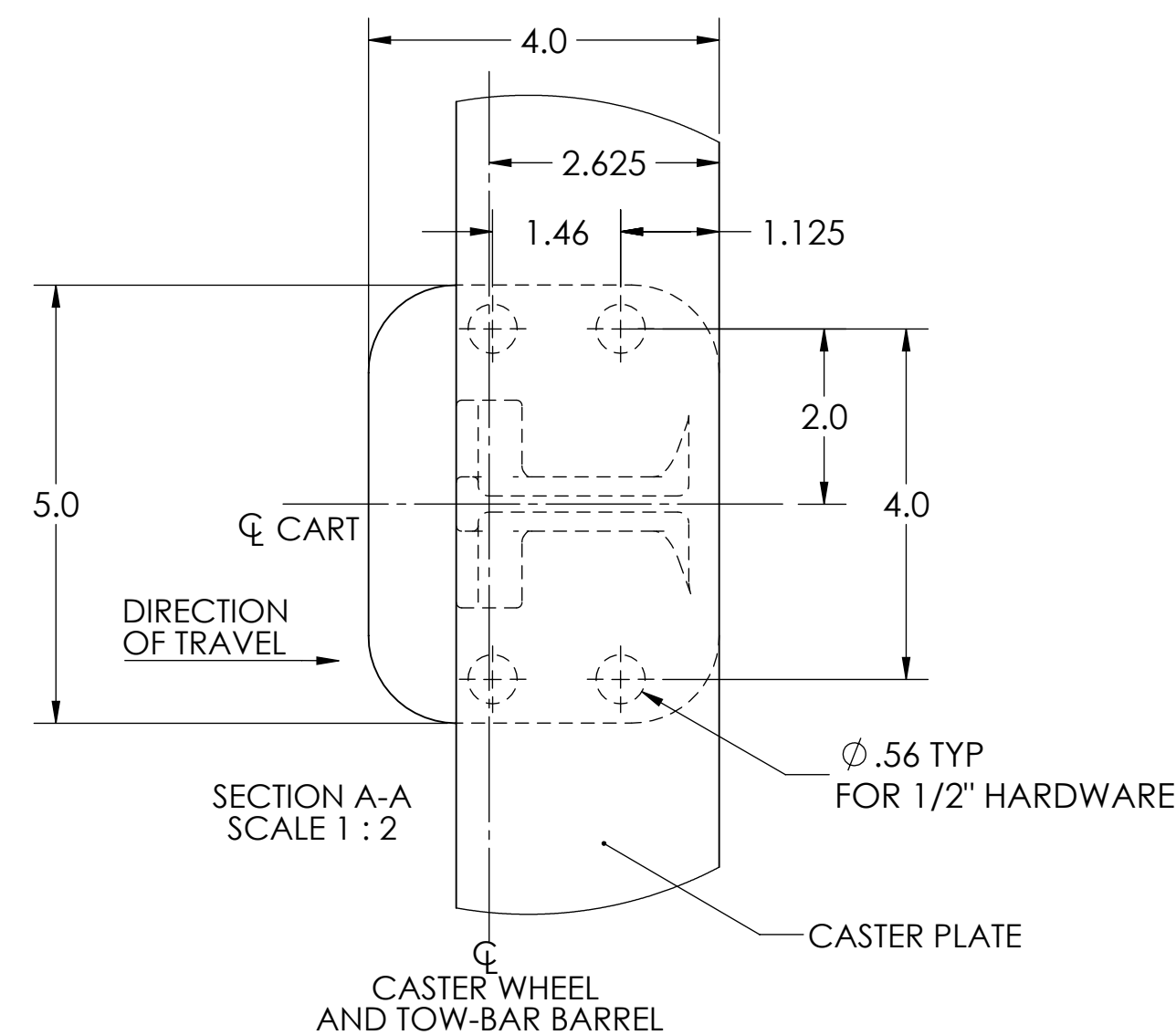


44 MAX.  
37 MIN.



NOTES:

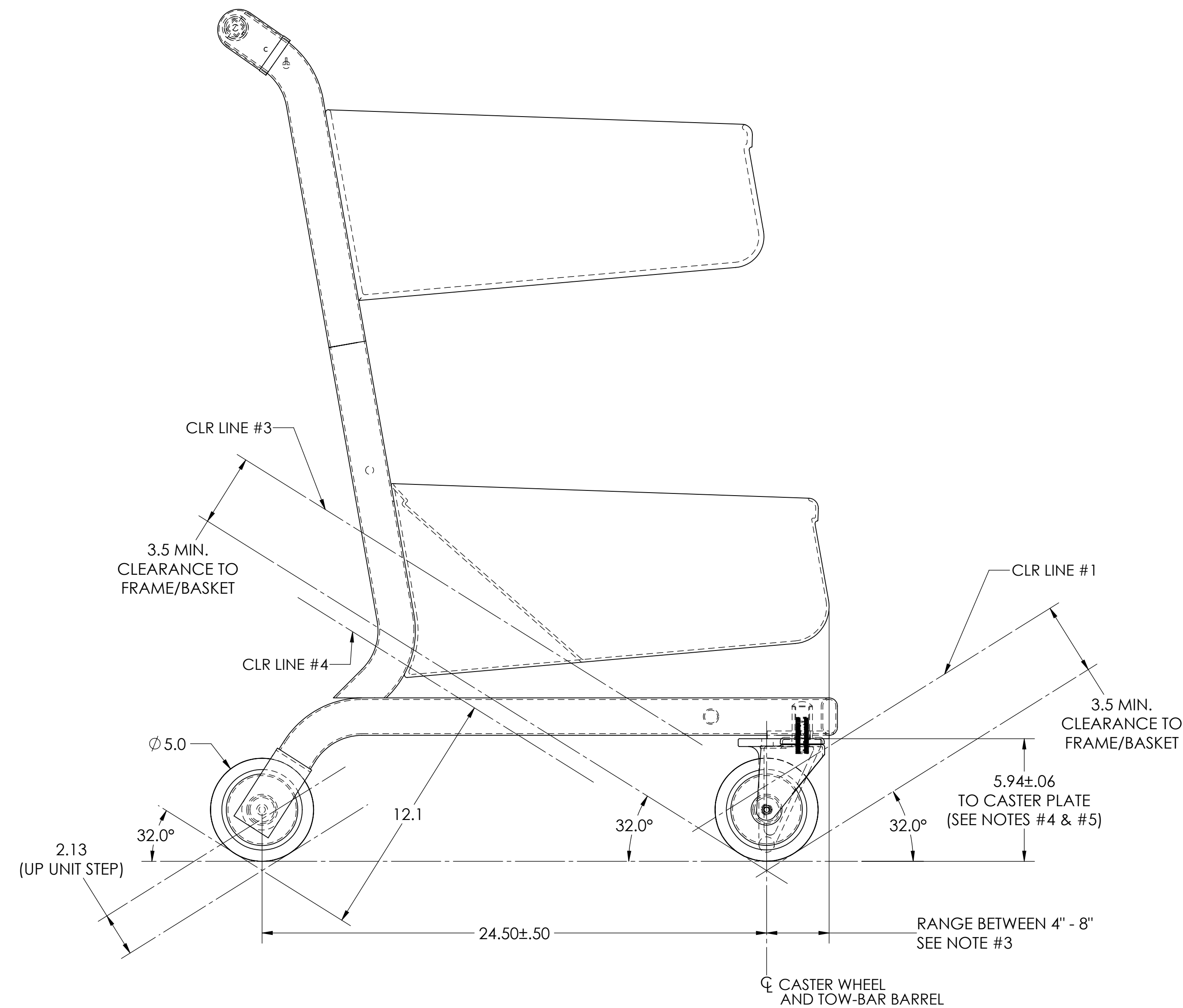
1. UNLESS OTHERWISE NOTED, ALL DIMENSIONS AND TOLERANCES SHOWN ARE CONSTRAINTS FOR DESIGN, NOT MANUFACTURING TOLERANCES.
2. DIMENSIONS ASSUME USE OF 1" O.D. ROUND TUBING FOR FRAME STRUCTURE
3. HORIZONTAL BRACE (SHADED SECTION) OF FRAME MUST MAKE BEND FROM LOWER FRAME TOWARD REAR CASTER SUPPORT ABOVE CLR. LINE #2 IN ORDER TO CLEAR CONVEYOR TRACK
4. CASTER PLATE TO BE MIN. .375 x 3.00 A-36 HOT ROLLED FLAT OR 1018 COLD DRAWN FLAT
5. TOW BAR ATTACHMENT TO BE ASSEMBLED TO CART BY CART MANUFACTURER PRIOR TO SHIPMENT TO FINAL CUSTOMER.
6. ANY ANTI-THEFT CASTER TO BE USED MUST BE INSTALLED IN THE RIGHT FRONT POSITION (AS VIEWED WHEN STANDING AT THE CART HANDLE).
7. IF FRAME IS TO EXTEND FORWARD PAST FRONT CASTER PLATE TO ACT AS A BUMPER, IT MUST BEND UPWARD TO CLEAR CLR. LINE #1.
8. ANTI-TIP BRACKETS ON CASTERS ARE NOT ALLOWED.
9. FRONT EDGE OF TOW BAR BARREL TO FURTHEST POINT FORWARD ON CART (FRAME OR BASKET) MUST BE IN THE RANGE GREATER THAN 4.00" AND LESS THAN 8.00"
10. DETAILED TRACK GEOMETRY CAN BE FOUND ON SHEET 2, AND SHOULD BE USED TO VERIFY CART DESIGN.
11. FOR A NEW CART DESIGN TO BE APPROVED FOR USE ON CARTVEYOR EQUIPMENT, PFLOW RECOMMENDS SENDING CAD DATA FOR AN INITIAL ASSESSMENT. A PHYSICAL SAMPLE CART IS REQUIRED FOR FINAL APPROVAL.



TOW BAR ATTACHMENTS	
CARTVEYOR MODEL	TOW BAR PART NO.
MODEL CV (CHAIN)	14167-0000

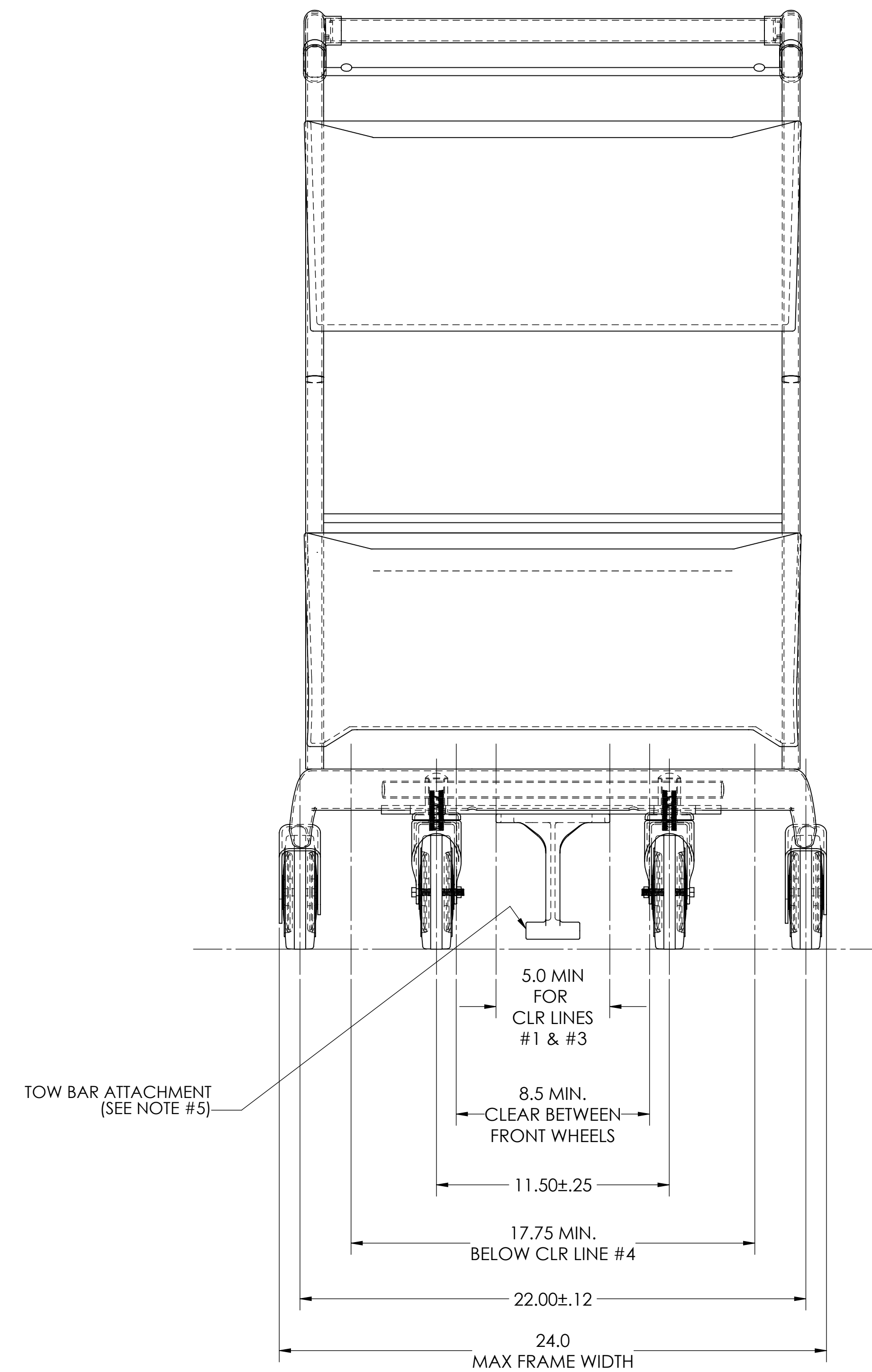
This print including the design and principles of construction is the property of Pflow Industries, Inc. and must be returned on demand. The information contained hereon is confidential and may not be used nor divulged without permission of Pflow Industries, Inc.

		PFLOW INDUSTRIES, INC. 6720 North Teutonia Ave. Milwaukee, WI 53209 414-352-9000 414-352-9022 FAX info@pflow.com		
TITLE: DIMENSIONAL INFORMATION WIDE TRACK SHOPPING CART				
UNLESS OTHERWISE INDICATED: ALL DIMENSIONS ARE IN INCHES. TOLERANCES: FRACTIONAL ±1/16 DECIMAL .XX ±.03 .XXX ±.015 ANGULAR ±1° MACH. SURFACE FINISH: 32 DO NOT SCALE DRAWINGS	DATE: 01-30-2015 SCALE: 1:4 DRAWING NUMBER: 16490-2000 ESTIMATED WEIGHT (LBS): 10600-0000 REF.	DRAWN: JRE CHECKED:	SHT 1 OF 3 REV 02	REV. DATE BY ECN REVISIONS



NOTES:

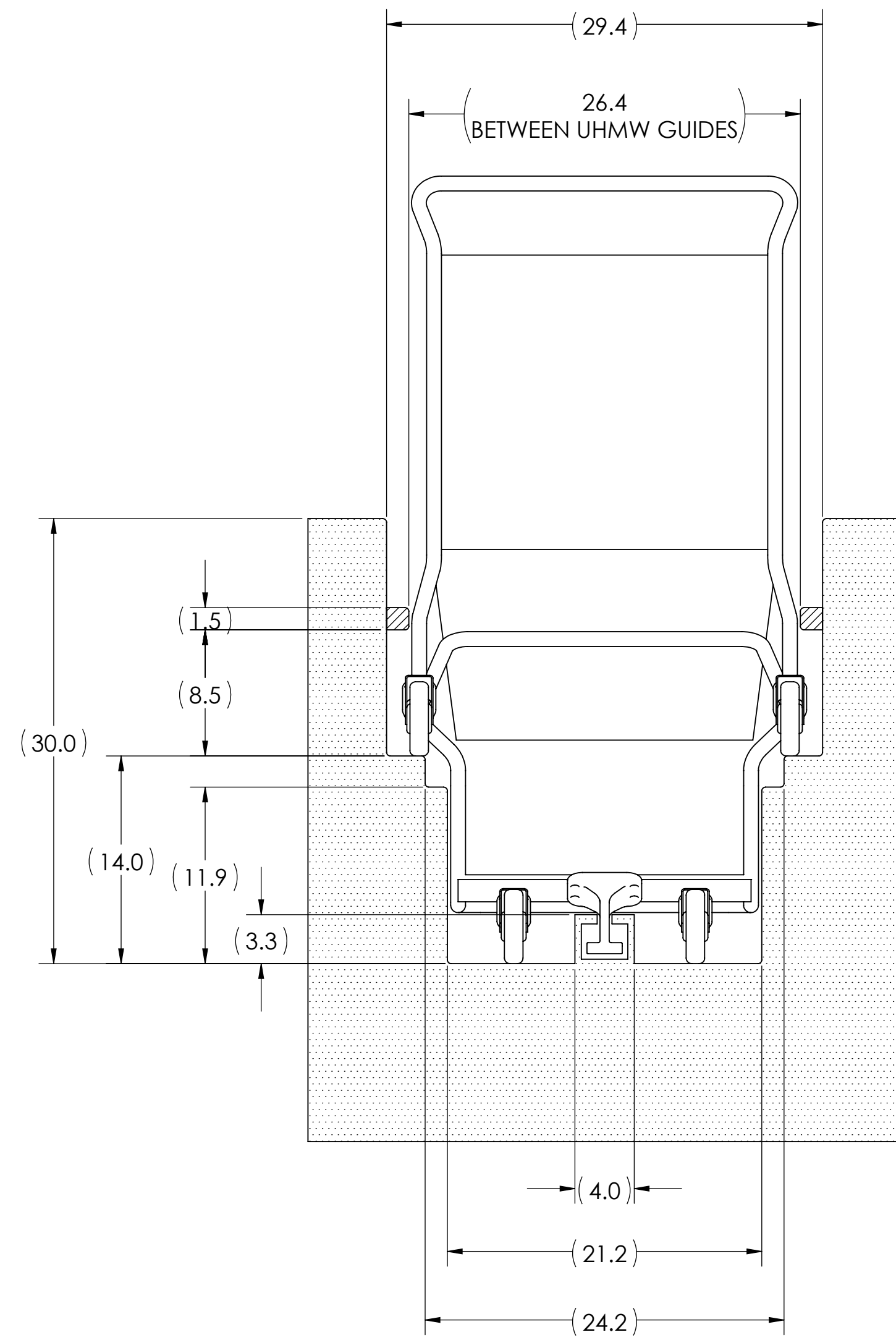
1. SEE SHEET #3 FOR DETAILED TRACK GEOMETRY.
2. UNLESS OTHERWISE NOTED, ALL DIMENSIONS AND TOLERANCES SHOWN ARE CONSTRAINTS FOR DESIGN, NOT MANUFACTURING TOLERANCES.
3. FRONT EDGE OF TOW BAR BARREL TO FURTHEST POINT FORWARD ON CART (FRAME OR BASKET) MUST BE IN THE RANGE GREATER THAN 4.00" AND LESS THAN 8.00"
4. CASTER PLATE TO BE MIN. .375 x 3.00 A-36 HOT ROLLED FLAT OR 1018 COLD DRAWN FLAT
5. TOW BAR ATTACHMENT TO BE ASSEMBLED TO CART BY CART MANUFACTURER PRIOR TO SHIPMENT TO FINAL CUSTOMER.
6. IF FRAME IS TO EXTEND FORWARD PAST FRONT CASTER PLATE TO ACT AS A BUMPER, IT MUST BEND UPWARD TO CLEAR CLR. LINE #1.
7. ANY ANTI-THEFT CASTER TO BE USED MUST BE INSTALLED IN THE RIGHT FRONT POSITION (AS VIEWED WHEN STANDING AT THE CART HANDLE).
8. ANTI-TIP BRACKETS ON CASTERS ARE NOT ALLOWED.
9. FOR A NEW CART DESIGN TO BE APPROVED FOR USE ON CARTVEYOR EQUIPMENT, PFLOW RECOMMENDS SENDING CAD DATA FOR AN INITIAL ASSESSMENT. A PHYSICAL SAMPLE CART IS REQUIRED FOR FINAL APPROVAL.



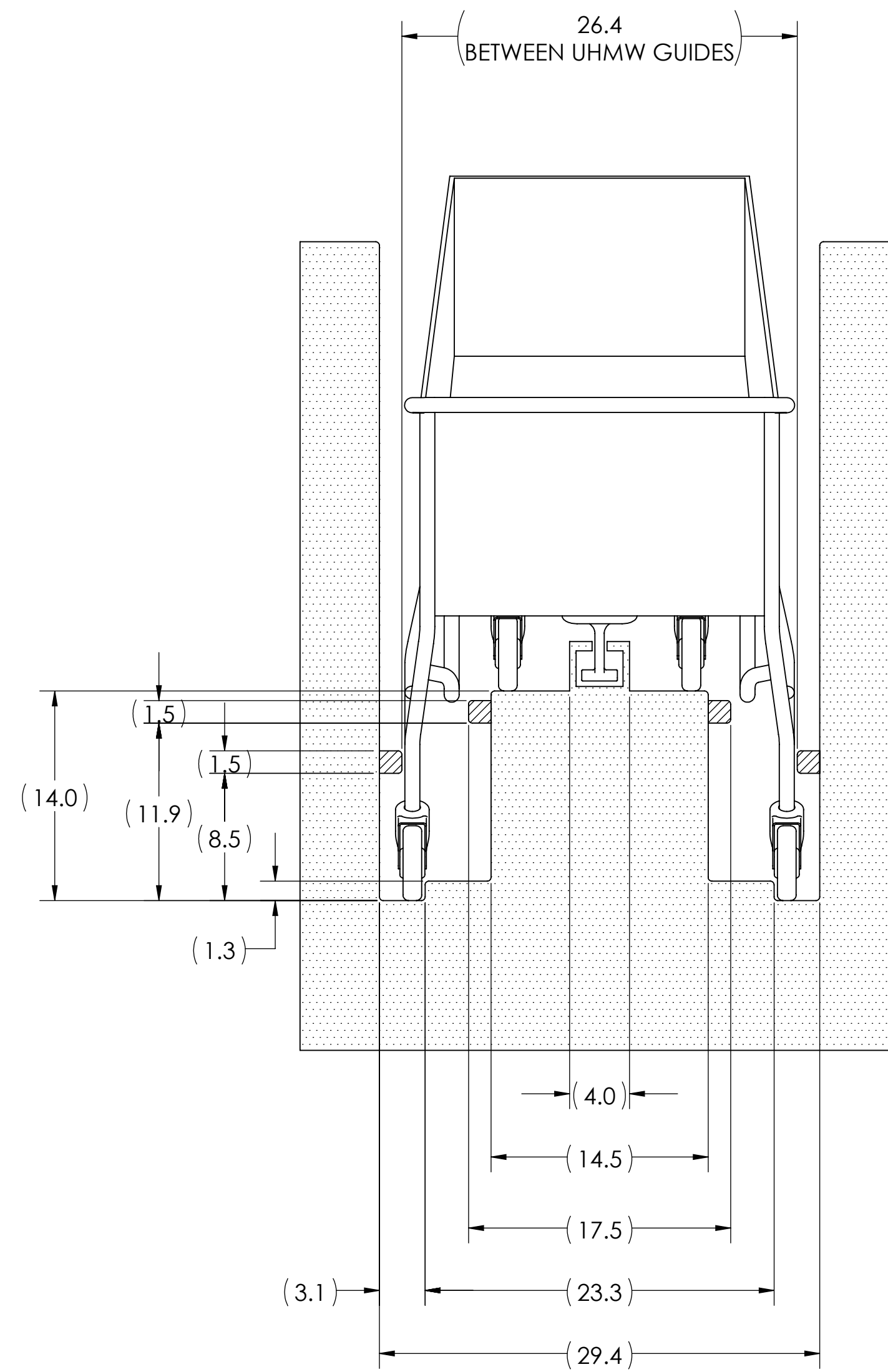
This print including the design and principles of construction is the property of Pflow Industries, Inc. and must be returned on demand. The information contained hereon is confidential and may not be used nor divulged without permission of Pflow Industries, Inc.

UNLESS OTHERWISE INDICATED: ALL DIMENSIONS ARE IN INCHES.		PFLOW INDUSTRIES, INC. 6720 North Teutonia Ave. Milwaukee, WI 53209		414-352-9000 414-352-9022 FAX info@pflow.com			
TITLE DIMENSIONAL INFORMATION NARROW TRACK SHOPPING CART							
ESTIMATED WEIGHT (LBS)	DATE	SCALE	DRAWING NUMBER	SHT	REV		
REF. 10600-0000	01-30-2015	1:4	16490-2000	2	02		
DRAWN JRE		CHECKED					

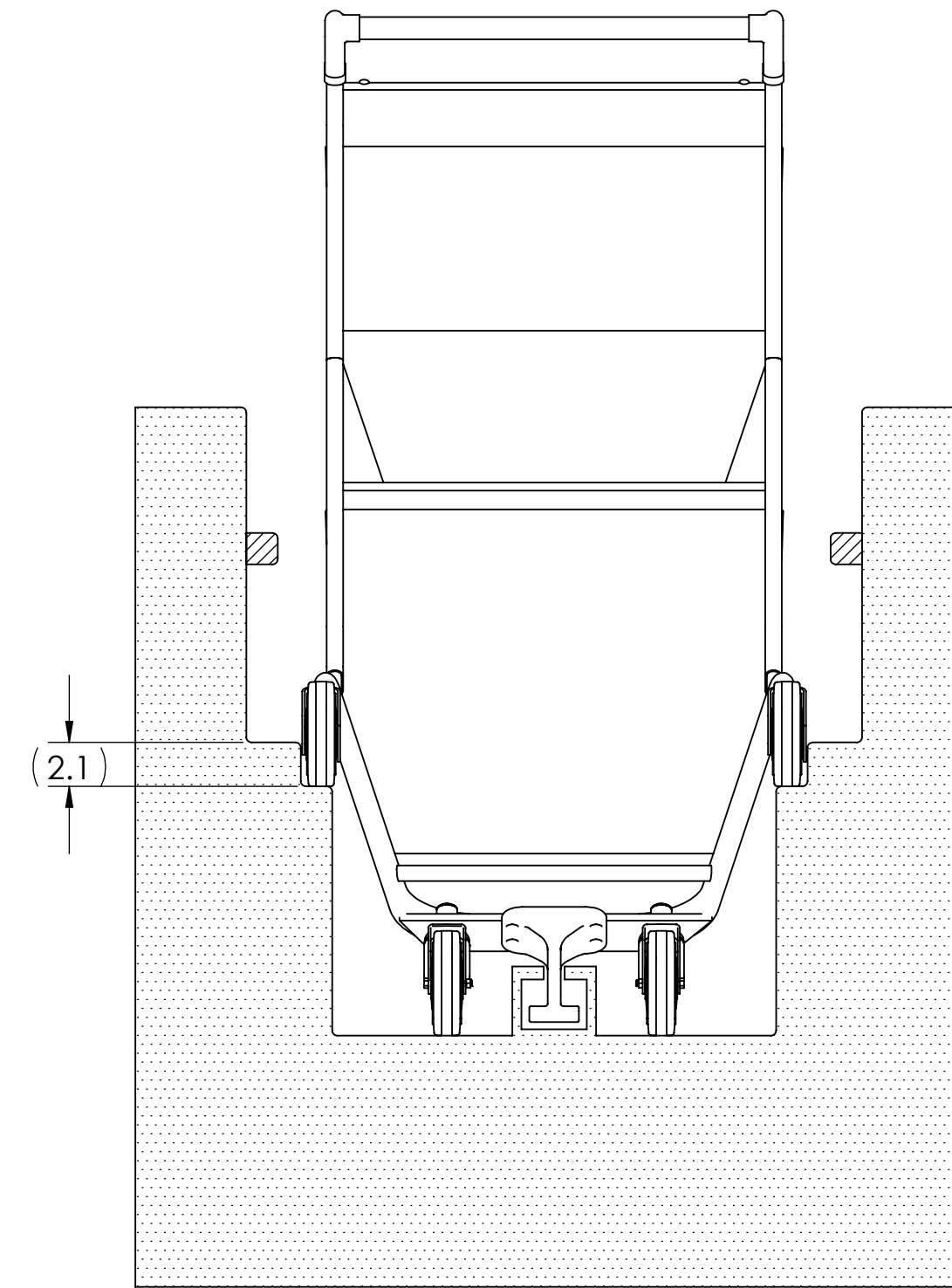
TYPICAL SECTIONS THRU  
MID-TRUSS



SECTION VIEW A  
UPWARD TRAVEL  
DUAL-TRACK CARTVEYOR  
CART ON WIDE TRACK

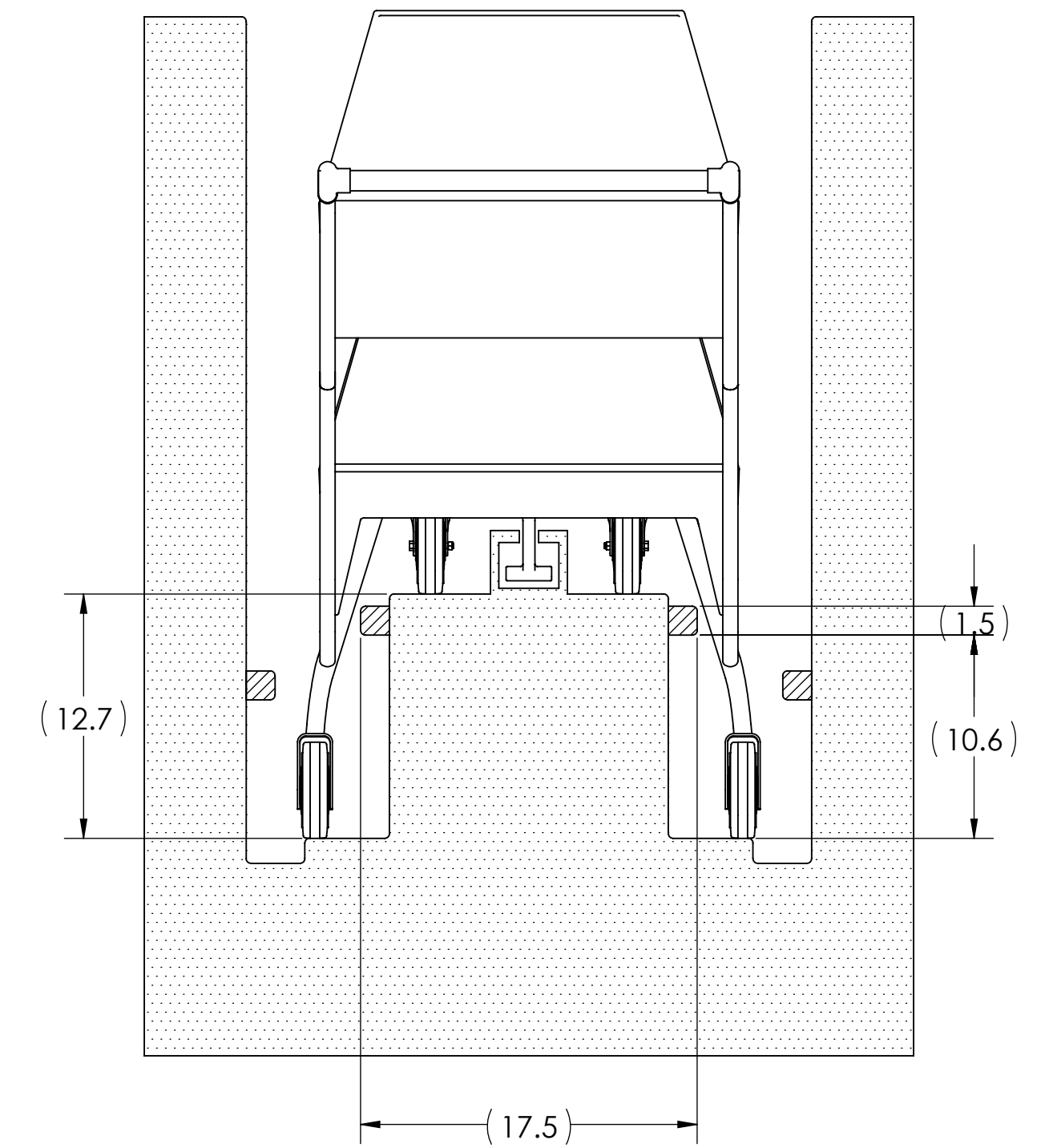


SECTION VIEW B  
DOWNWARD TRAVEL  
DUAL-TRACK CARTVEYOR  
CART ON WIDE TRACK



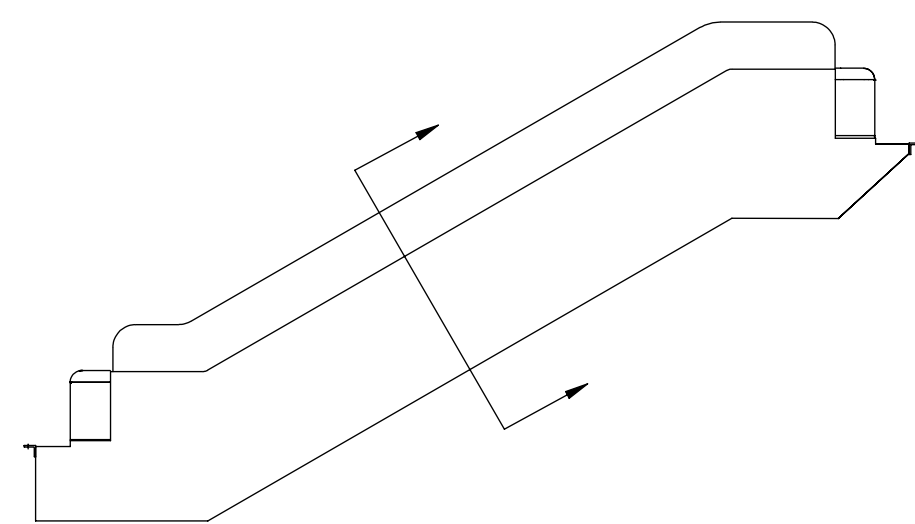
SECTION VIEW C  
UPWARD TRAVEL  
DUAL-TRACK CARTVEYOR  
CART ON NARROW TRACK

(DIMENSIONALLY IDENTICAL  
TO VIEW A)

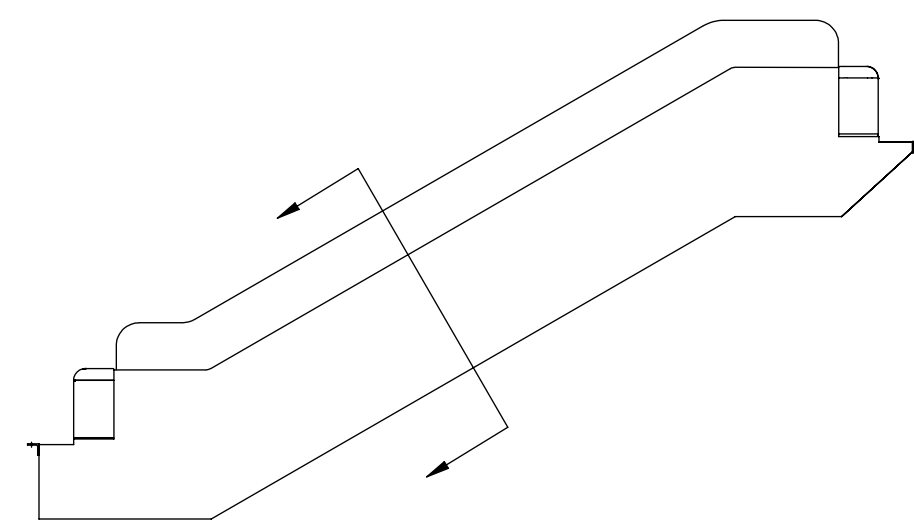


SECTION VIEW D  
DOWNWARD TRAVEL  
DUAL-TRACK CARTVEYOR  
CART ON NARROW TRACK

(DIMENSIONALLY IDENTICAL  
TO VIEW B)



UPWARD TRAVEL  
CROSS-SECTIONS



DOWNWARD TRAVEL  
CROSS-SECTIONS

UNLESS OTHERWISE INDICATED: ALL DIMENSIONS ARE IN INCHES.		PFLOW INDUSTRIES, INC. 414-352-9000 6720 North Teutonia Ave. 414-352-9022 FAX Milwaukee, WI 53209 info@pflow.com							
TOLERANCES: FRACTIONAL 1/16 DECIMAL .XX ±.03 ANGULAR ±1° MACH. SURFACE FINISH: 32 DO NOT SCALE DRAWINGS		TITLE DIMENSIONAL INFORMATION CV DUAL TRACK CARTVEYOR - SHOPPING CARTS							
DATE	01-30-2015	SCALE	1:8	DRAWING NUMBER	16490-2000	SHT	3	REV	02
ESTIMATED WEIGHT (LBS)	REF.	10600-0000	REVISIONS	DRAWN	JRE	CHECKED			