

**CARTVEYOR SECTION UP UNIT**  
TYPICAL ESCALATOR SHOWN IN BACKGROUND

**MAIN INCOMING POWER LOCATED IN LOWER PIT. PROVISIONS FOR INCOMING POWER IN UPPER PIT PROVIDED VIA INTERNAL TRUSS CONDUIT BY PFLOW. (NOT BY PFLOW) G.C. TO PROVIDE REQUIRED POWER TO THE MAIN CONTROL PANEL, THROUGH A SEPARATE, LOCKABLE DISCONNECT SWITCH, OR CIRCUIT BREAKER, LOCATED OUTSIDE OF CARTVEYOR TRUSS.**

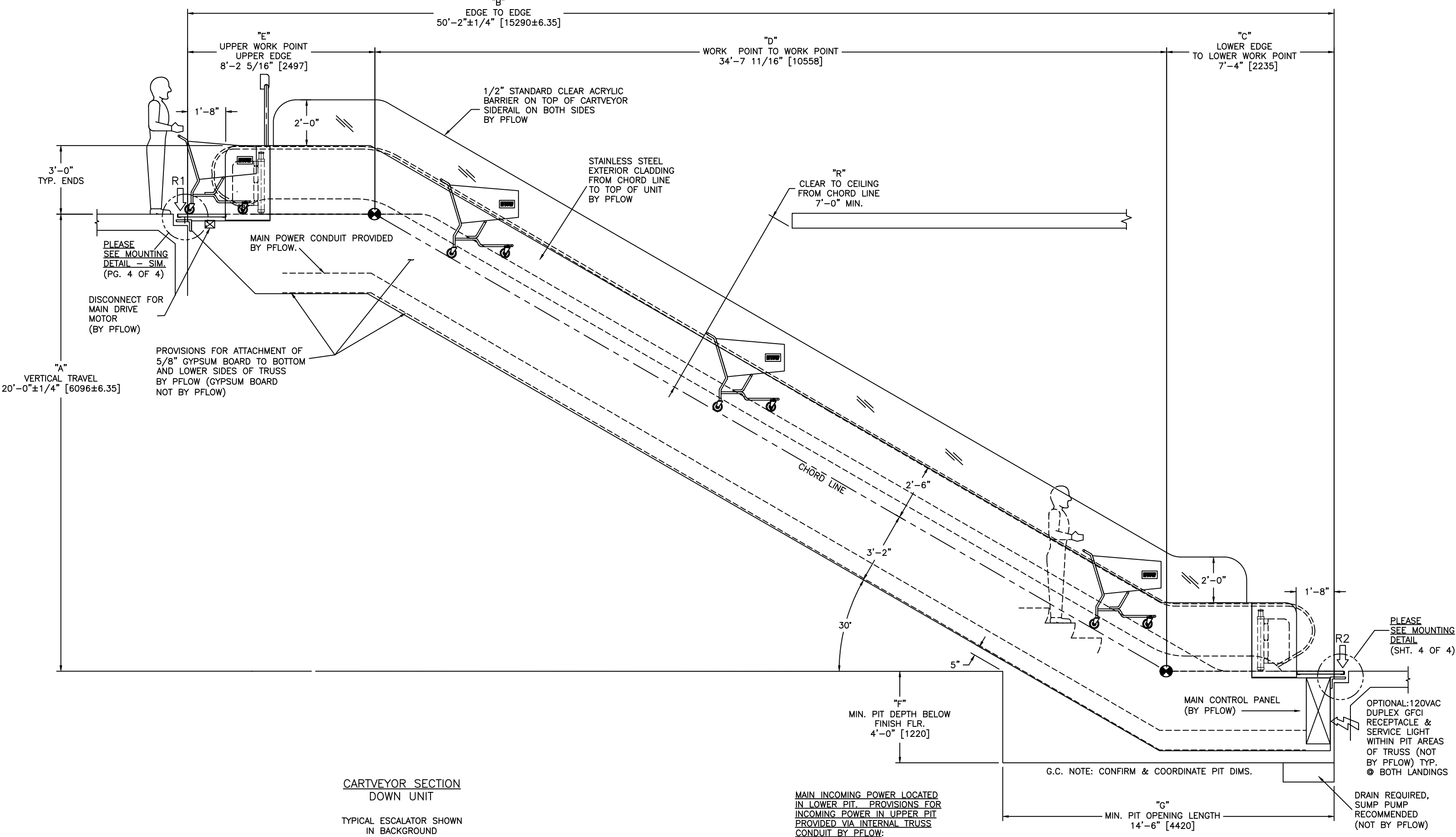
THE CARTVEYOR IS AN INCLINE TOW CONVEYOR—PUBLIC USE INTENDED DEVICE IN COMPLIANCE WITH ASME B20.1 NATIONAL SAFETY STANDARD FOR CONVEYORS AND RELATED EQUIPMENT, SECTION 6.17.2. ASME A17.1/B44 DOES NOT APPLY TO THIS EQUIPMENT.

C 10/19/18 SJD 18.071		DATE		SCALE		DRAWING NUMBER		SHT		REV	
B 3/11/15 JRE 14.091		9/30/09		N.T.S.		9424-0050		1		C	
A 11/29/10 NJP		DRAWN		CHECKED		9424-0050		OF		4	
REV		DATE		BY		CHECKED		REV		C	

**PFLOW INDUSTRIES** MATERIAL HANDLING SOLUTIONS  
4720 N. TEUTONIA AVE  
MILWAUKEE, WI 53209  
P (414) 352-9000  
F (414) 352-9002

THIS PRINT INCLUDING THE DESIGN AND PRINCIPLES OF CONSTRUCTION IS THE PROPERTY OF PFLOW INDUSTRIES, INC. AND MUST BE RETURNED ON DEMAND. THE INFORMATION CONTAINED HEREIN IS CONFIDENTIAL AND MAY NOT BE USED OR DIVULGED WITHOUT PERMISSION OF PFLOW INDUSTRIES, INC.

**SERIES CV DIMENSIONAL INFORMATION**



**CARTVEYOR SECTION  
DOWN UNIT**

TYPICAL ESCALATOR SHOWN  
IN BACKGROUND

**MAIN INCOMING POWER LOCATED  
IN LOWER PIT. PROVISIONS FOR  
INCOMING POWER IN UPPER PIT  
PROVIDED VIA INTERNAL TRUSS  
CONDUIT BY PFLOW:**  
(NOT BY PFLOW) G.C. TO PROVIDE  
REQUIRED POWER TO THE MAIN  
CONTROL PANEL, THROUGH A  
SEPARATE, LOCKABLE DISCONNECT  
SWITCH, OR CIRCUIT BREAKER,  
LOCATED OUTSIDE OF CARTVEYOR  
TRUSS.

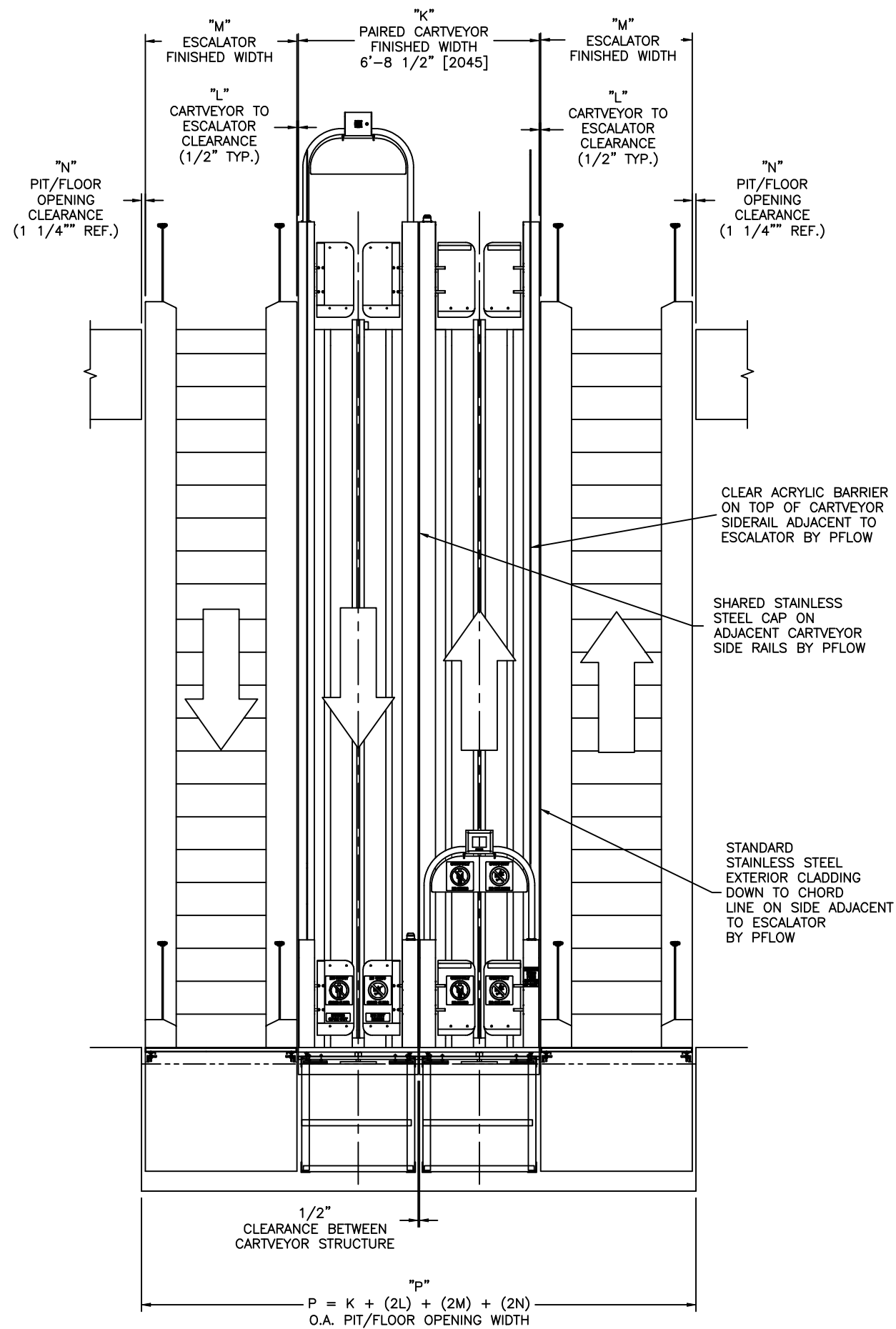
THE CARTVEYOR IS AN INCLINE TOW  
CONVEYOR-PUBLIC USE INTENDED  
DEVICE IN COMPLIANCE WITH ASME B20.1  
NATIONAL SAFETY STANDARD FOR CONVEYORS  
AND RELATED EQUIPMENT, SECTION 6.17.2.  
ASME A17.1/B44 DOES NOT APPLY  
TO THIS EQUIPMENT.

C 10/19/18 SJD 18.071		DATE 9/30/09 SCALE N.T.S. DRAWING NUMBER 9424-0050	
B 3/11/15 JRE 14.091		SHEET 2 OF 4	
A 11/29/10 NJP		REV C	
REV	DATE	BY	ECN
		NJP	

**PFLOW INDUSTRIES** MATERIAL HANDLING SOLUTIONS  
4720 N. TEUTONIA AVE  
MILWAUKEE, WI 53209  
P (414) 352-9000  
F (414) 352-9002

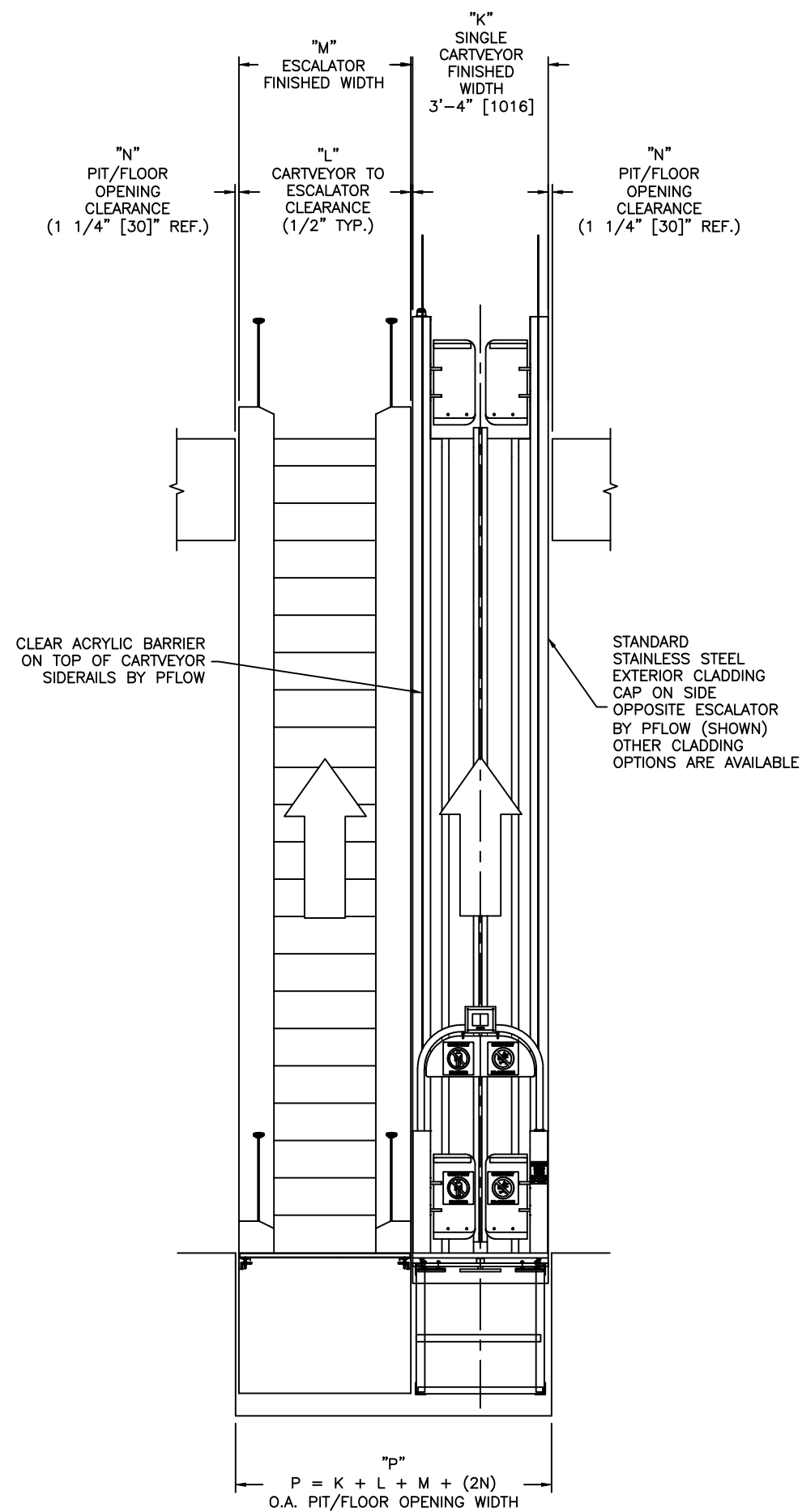
THIS PRINT INCLUDING THE DESIGN AND PRINCIPLES OF CONSTRUCTION IS THE  
PROPERTY OF PFLOW INDUSTRIES, INC. AND MUST BE RETURNED ON DEMAND.  
THE INFORMATION CONTAINED HEREIN IS CONFIDENTIAL AND MAY NOT BE  
USED NOR DIVULGED WITHOUT PERMISSION OF PFLOW INDUSTRIES, INC.

**SERIES CV  
DIMENSIONAL INFORMATION**



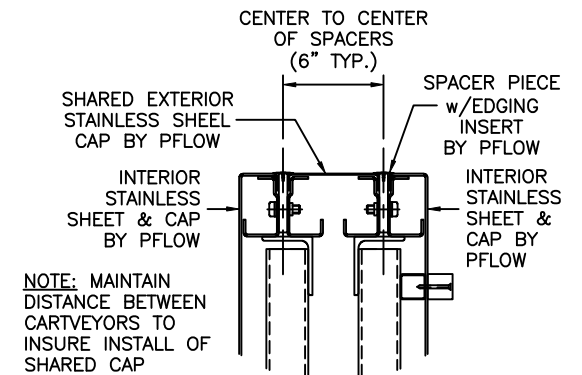
**CARTVEYOR SECTION**

- 2 CV's IN - 2 ESC's OUT - RH UP - LH DOWN (SHOWN)
- 2 CV's IN - 2 ESC's OUT - LH UP - RH DOWN (OPTIONAL)
- 2 CV's OUT - 2 ESC's IN - RH UP - LH DOWN (OPTIONAL)
- 2 CV's OUT - 2 ESC's IN - LH UP - RH DOWN (OPTIONAL)

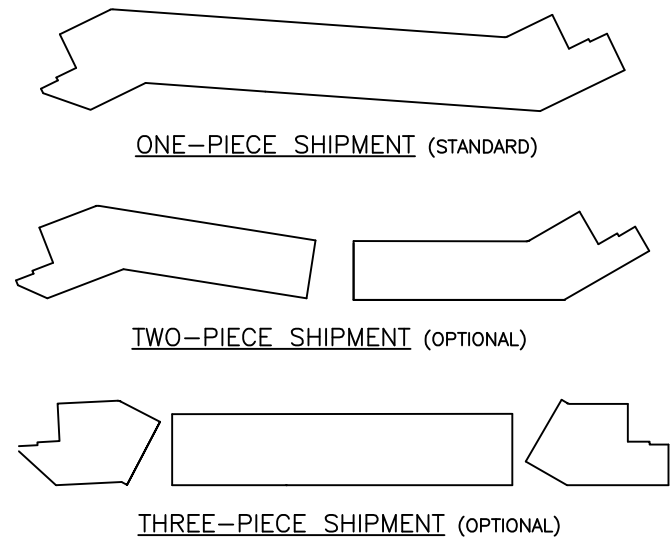


**CARTVEYOR SECTION**

- 1 CV RH - 1 ESC LH (SHOWN)
- 1 CV LH - 1 ESC RH (OPTIONAL)



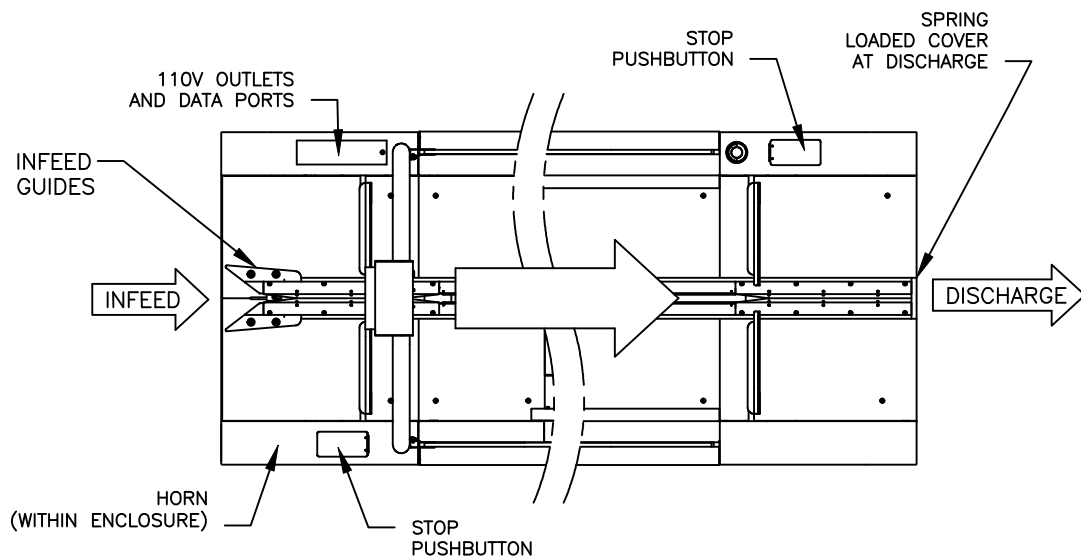
**CARTVEYOR DETAIL  
TYPICAL - SECTION  
THRU SHARED CAP  
(SIDE-BY-SIDE ONLY)  
SCALE - 4X**



**CARTVEYOR SHIPPING DETAIL**  
CARTVEYORS CAN BE KNOCKED-DOWN FOR CERTAIN APPLICATIONS. ONE PIECE, TWO PIECE AND THREE PIECE KNOCK-DOWN CAPABILITY.

**PFLOW INDUSTRIES** MATERIAL HANDLING SOLUTIONS  
4720 N. TEUTONIA AVE. MILWAUKEE, WI 53207  
P (414) 352-9000 F (414) 352-9002

C 10/19/18 SJD 18.071		DATE 9/30/09		SCALE N.T.S.		DRAWING NUMBER 9424-0050		SHT 3 OF 4		REV C	
B 3/11/15 JRE 14.091		DATE		SCALE		DRAWING NUMBER		SHT		REV	
A 11/29/10 NJP		DATE		SCALE		DRAWING NUMBER		SHT		REV	
REV		DATE		SCALE		DRAWING NUMBER		SHT		REV	
DRAWN NJP		CHECKED		SCALE		DRAWING NUMBER		SHT		REV	



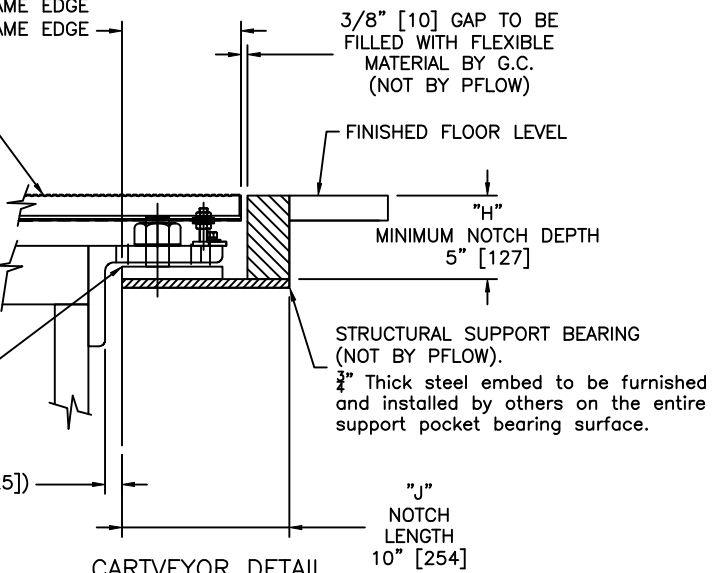
**CARTVEYOR DETAIL**  
GATE PLAN  
SCALE - 2X

"X" LOWER EDGE TO LOWER FLOOR FRAME EDGE  
"Y" UPPER EDGE TO UPPER FLOOR FRAME EDGE  
(7 1/8" SHOWN)

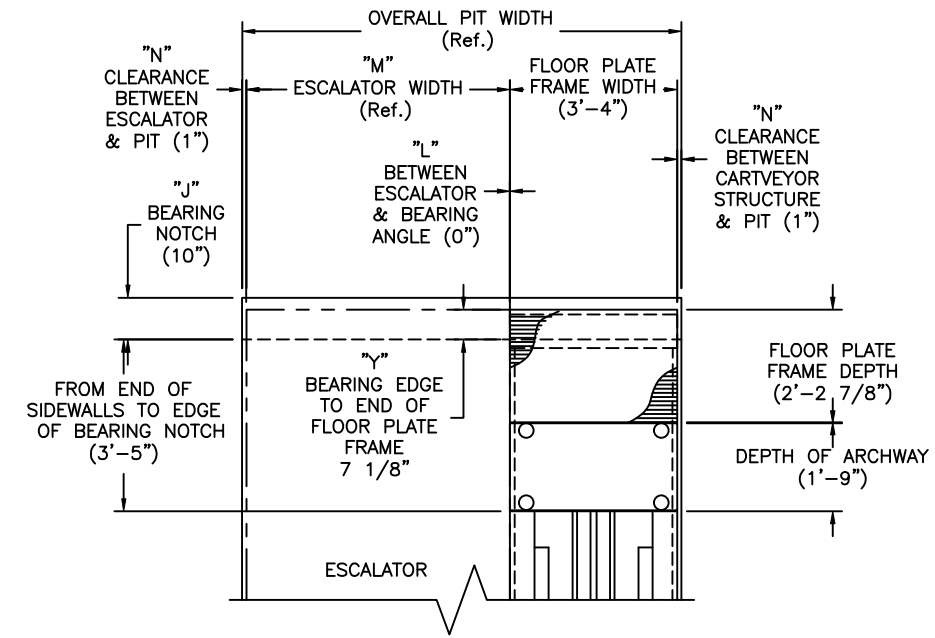
REMOVABLE NON-SKID ACCESS COVERS TO MATCH ESCALATOR FLOOR PLATES (BY ESCALATOR MANUFACTURER)  
NOTE: PFLOW TO COORDINATE W/ESCALATOR MANUFACTURER ON FINAL SIZE AND TYPE

VIBRATION MOUNTS AND SHIMS BY PFLOW, SEE PFLOW DWG#15499-0000

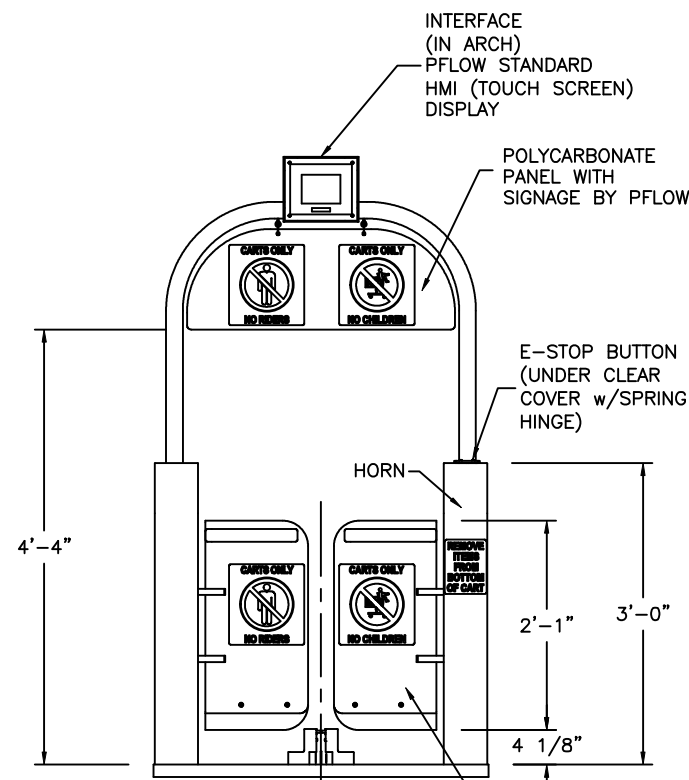
CARTVEYOR (1" [25])



**CARTVEYOR DETAIL**  
MOUNTING - TYP.  
SCALE - 4X

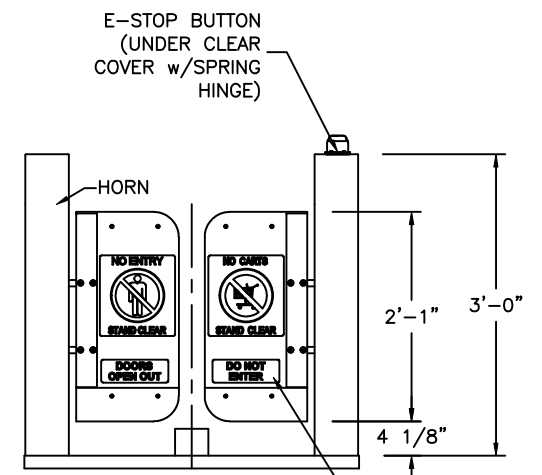


**CARTVEYOR DETAIL**  
PLAN VIEW AT UPPER LANDING

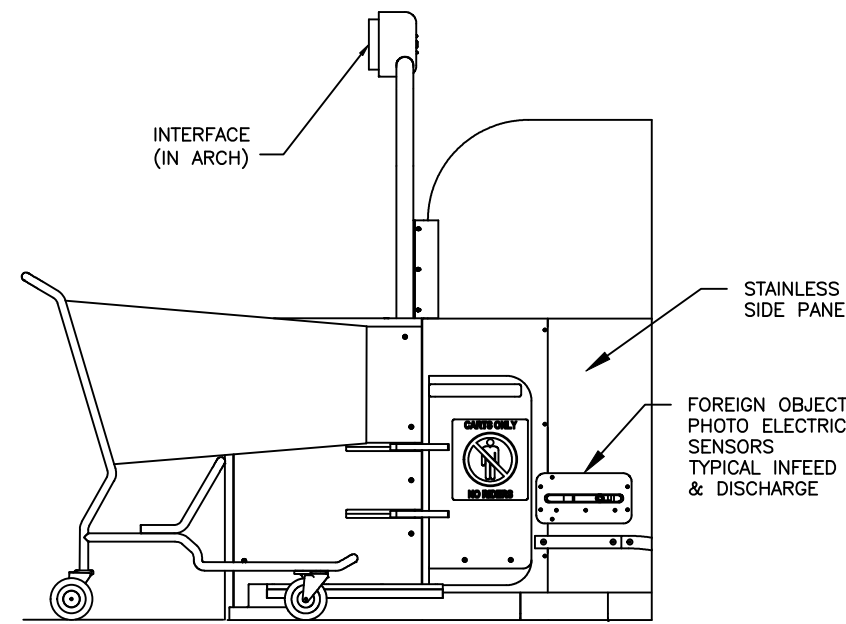


**CARTVEYOR DETAIL**  
FRONT OF LOCKING INFEED GATE  
SCALE - 2X

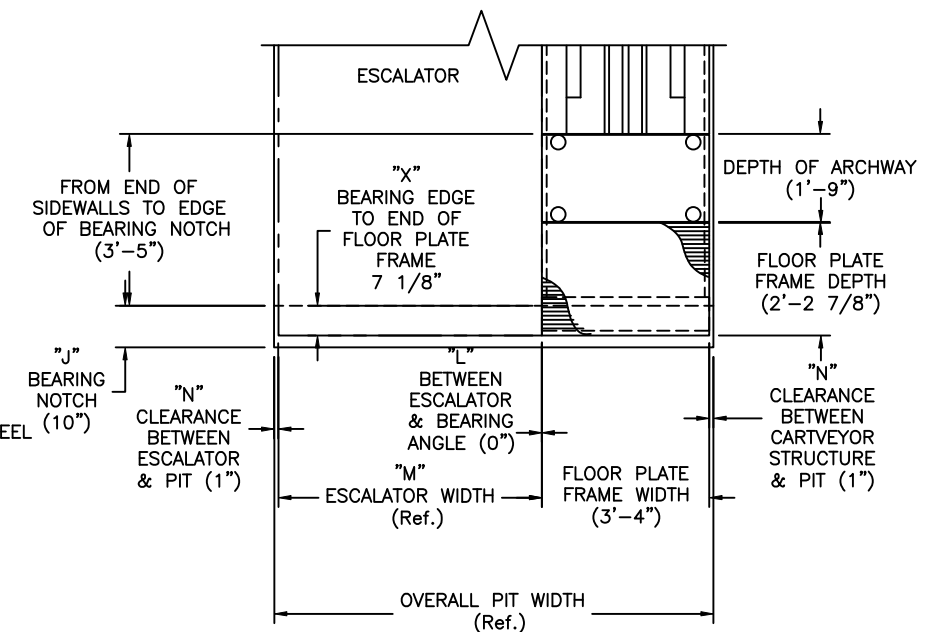
\*CONTACT PFLOW SALES DEPT. REGARDING OPTIONS FOR SIGNAGE STYLE AND LANGUAGE.



**CARTVEYOR DETAIL**  
FRONT OF LOCKING DISCHARGE GATE  
SCALE - 2X



**CARTVEYOR DETAIL**  
INFEED GATE SIDE  
SCALE - 2X



**CARTVEYOR DETAIL**  
PLAN VIEW AT LOWER LANDING

**PFLOW INDUSTRIES** MATERIAL HANDLING SOLUTIONS  
4720 N. TEUTONIA AVE. MILWAUKEE, WI 53209  
P (414) 352-9000 F (414) 352-9002

C	10/19/18	SJD	18.071	TITLE	DATE	SCALE	DRAWING NUMBER	SHT	REV
B	3/11/15	JRE	14.091					4	
A	11/29/10	NJP						4	
REVISIONS		DATE	BY	ECN	SCALE	CHECKED	DRAWN	REV	C
		9/30/09	NJP		N.T.S.			4	
SERIES CV DIMENSIONAL INFORMATION							9424-0050	OF	4